

Series 56,700 (1-056-7XX) Die Cast Aluminum (1-056-7XS) Stainless Steel

[BACK TO TABLE OF CONTENTS](#)

Mounting Face: NEMA 56C, 143TC and 145TC

4.5" AK, 5.88" AJ



Static Torque: 1.5 through 25 lb-ft

Enclosure Material: IP 23, 54 & 55 Die Cast Aluminum; IP 56 Stainless Steel

Release Type: Knob, Maintained with automatic reset

Enclosure Protection: IP 23 & 54 (formerly referred to by Stearns as NEMA Type 2 & 4 respectively).

IP 55 & 56 (formerly referred to by Stearns as NEMA Type 4X BISSC Certified & Type 4X stainless steel enclosure, respectively).

- ABS Type Approval Certified
- Spring-Set Electrically Released
- Adjustable Torque
- Manual Release Knob, Maintained with Automatic Reset
- Manual Wear Adjustment

- Maximum Speed: 5000 rpm Horizontal
3600 rpm Vertical

Note: 56,700 Series mounts between C-Face motor and reducer. Do not apply overhung load to brake output shaft.

Installation and Service:
P/N 8-078-905-67

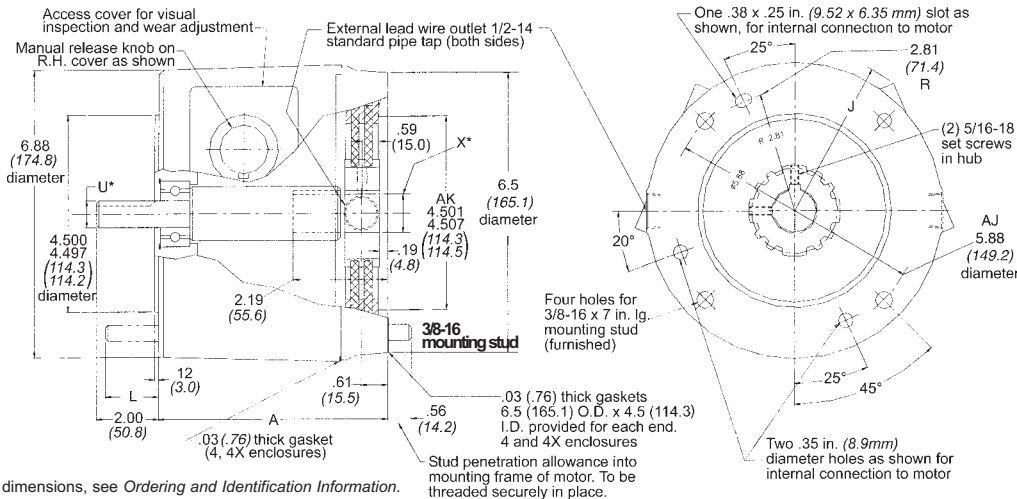
Parts List: P/N 8-078-906-07

Modifications: Pages 54-63

Universal Mounting: Through 15 lb-ft.
20 and 25 lb-ft. supplied with springs for vertical modification.

Brake set and release times in milliseconds, when brake and motor are switched separately (for T1/T2 definitions, see page 101)

Static Torque lb-ft	Coil Size	T1	T2
1½ - 25	4, K4, K4+, M4+	25	14



* For X and U dimensions, see *Ordering and Identification Information*.
Dimensions for estimating only. For installation purposes request certified prints.

Dimensions /Unit Pricing (Discount Symbol E3)

Nominal Static Torque (lb-ft) (Nm)	Enclosure	Type	Basic Model Number and List Price	Dimensions in Inches (mm)			Wt. lbs (kg)
				A	J	L	
1.5 (2)	IP 23	AC	1-056-701-0X \$480.00	4.91 (124.7)	3.81 (96.8)	1.53 (38.9)	12 (5.4)
		DC	1-056-705-0X \$780.00				
	IP 54	AC	1-056-702-0X \$615.00	4.94 (125.5)	3.88 (98.6)	1.53 (38.9)	13 (5.9)
		DC	1-056-706-0X \$915.00				
	IP 55	AC	1-056-704-0X \$690.00	4.94 (125.5)	3.88 (98.6)	1.53 (38.9)	13 (5.9)
		DC	1-056-708-0X \$990.00				
3 (4)	IP 23	AC	1-056-711-0X \$500.00	4.91 (124.7)	3.81 (96.8)	1.53 (38.9)	12 (5.4)
		DC	1-056-715-0X \$800.00				
	IP 54	AC	1-056-712-0X \$635.00	4.94 (125.5)	3.88 (98.6)	1.53 (38.9)	13 (5.9)
		DC	1-056-716-0X \$935.00				
	IP 55	AC	1-056-714-0X \$710.00	4.94 (125.5)	3.88 (98.6)	1.53 (38.9)	13 (5.9)
		DC	1-056-718-0X \$1,010.00				
IP 56	AC	1-056-71S-0X \$2,474.00	4.94 (125.5)	3.88 (98.6)	1.53 (38.9)	22 (10)	
6 (8)	IP 23	AC	1-056-721-0X \$565.00	4.91 (124.7)	3.81 (96.8)	1.53 (38.9)	12 (5.4)
		DC	1-056-725-0X \$865.00				
	IP 54	AC	1-056-722-0X \$700.00	4.94 (125.5)	3.88 (98.6)	1.53 (38.9)	13 (5.9)
		DC	1-056-726-0X \$1,000.00				
	IP 55	AC	1-056-724-0X \$775.00	4.94 (125.5)	3.88 (98.6)	1.53 (38.9)	13 (5.9)
		DC	1-056-728-0X \$1,075.00				
IP 56	AC	1-056-72S-0X \$2,539.00	4.94 (125.5)	3.88 (98.6)	1.53 (38.9)	22 (10)	
10 (14)	IP 23	AC	1-056-731-0X \$665.00	4.91 (124.7)	3.81 (96.8)	1.53 (38.9)	12 (5.4)
		DC	1-056-735-0X \$965.00				
	IP 54	AC	1-056-732-0X \$805.00	4.94 (125.5)	3.88 (98.6)	1.53 (38.9)	13 (5.9)
		DC	1-056-736-0X \$1,105.00				
	IP 55	AC	1-056-734-0X \$880.00	4.94 (125.5)	3.88 (98.6)	1.53 (38.9)	13 (5.9)
		DC	1-056-738-0X \$1,180.00				
IP 56	AC	1-056-73S-0X \$2,639.00	4.94 (125.5)	3.88 (98.6)	1.53 (38.9)	22 (10)	

Dimensions /Unit Pricing (Discount Symbol E3)

Nominal Static Torque (lb-ft) (Nm)	Enclosure	Type	Basic Model Number and List Price	Dimensions in Inches (mm)			Wt. lbs (kg)
				A	J	L	
15 (20)	IP 23	AC	1-056-741-0X \$765.00	4.91 (124.7)	3.81 (96.8)	1.53 (38.9)	12 (5.4)
		DC	1-056-745-0X \$1,065.00				
	IP 54	AC	1-056-742-0X \$905.00	4.94 (125.5)	3.88 (98.6)	1.08 (5.9)	13 (5.9)
		DC	1-056-746-0X \$1,205.00				
	IP 55	AC	1-056-744-0X \$980.00	4.94 (125.5)	3.88 (98.6)	1.08 (5.9)	13 (5.9)
		DC	1-056-748-0X \$1,280.00				
IP 56	AC	1-056-74S-0X \$2,739.00	4.94 (125.5)	3.88 (98.6)	1.53 (38.9)	22 (10)	
20 (27)	IP 23	AC	1-056-751-07 \$855.00	5.36 (136.1)	3.81 (96.8)	1.08 (5.4)	12 (5.4)
		DC	1-056-755-07 \$1,155.00				
	IP 54	AC	1-056-752-07 \$990.00	5.39 (136.9)	3.88 (98.6)	1.08 (6.3)	14 (6.3)
		DC	1-056-756-07 \$1,290.00				
	IP 55	AC	1-056-754-07 \$1,065.00	5.39 (136.9)	3.88 (98.6)	1.08 (6.3)	14 (6.3)
		DC	1-056-758-07 \$1,365.00				
IP 56	AC	1-056-75S-0X \$2,824.00	5.39 (136.9)	3.88 (98.6)	1.08 (27.4)	22 (10)	
25 (34)	IP 23	AC	1-056-761-07 \$950.00	5.36 (136.1)	3.81 (96.8)	1.08 (5.9)	13 (5.9)
		DC	1-056-765-07 \$1,250.00				
	IP 54	AC	1-056-762-07 \$1,085.00	5.39 (136.9)	3.88 (98.6)	1.08 (6.3)	14 (6.3)
		DC	1-056-766-07 \$1,385.00				
	IP 55	AC	1-056-764-07 \$1,160.00	5.39 (136.9)	3.88 (98.6)	1.08 (6.3)	14 (6.3)
		DC	1-056-768-07 \$1,460.00				
IP 56	AC	1-056-76S-0X \$2,919.00	5.39 (136.9)	3.88 (98.6)	1.08 (27.4)	22 (10)	

* X in 9th digit designates hub bore and shaft size.

Engineering Specifications

Nominal Static Torque	No. of Friction Discs	Coil Size		Maximum Solenoid Cycle Rate ^①		Thermal Capacity ^②		Inertia (Wk ²)
		AC	DC	cycles/min		hp-sec/min (watts)		
				AC	DC	Horizontal	Vertical	
1.5 (2)	1	4	4+	36	20	9 (112)	6.5 (80)	.008 (3.36)
3 (4)	1	4	4+	36	20	9 (112)	6.5 (80)	.008 (3.36)
6 (8)	1	K4	K4-	36	20	9 (112)	6.5 (80)	.008 (3.36)
10 (14)	2	K4	K4+	36	20	9 (112)	6.5 (80)	.014 (5.88)
15 (20)	2	K4+	M4+	36	20	9 (112)	6.5 (80)	.014 (5.88)
20 (27)	3	K4+	M4+	36	20	9 (112)	6.5 (80)	.020 (8.40)
25 (34)	3	M4+	P4+	36	20	9 (112)	6.5 (80)	.020 (8.40)

- ① Maximum solenoid cycle rate is based on ambient temperature of 72°F (22°C) with 50% duty cycle. Does not relate to brake cycle rate (see Thermal Capacity).
- ② Thermal capacity rating is based on ambient temperature of 72°F (22°C), stop time of one second or less, with no heat absorbed from motor. Refer to Selection Procedure Section.

Current Ratings (amperes)

Solenoid Coil Size	AC Current	Voltage: 60 Hz						Voltage: 50 Hz			Voltage: DC			
		115	200	230	400	460	575	110	220	380	24	95	115	230
4	inrush holding	3.6 .3	2.1 .2	1.8 .2	1.1 .08	.9 .08	.7 .06	4.1 .3	2.1 .2	.9 .08	13.3 .3	3.6 .1	2.8 .05	1.5 .03
4+	inrush holding	—	—	—	—	—	—	—	—	—	12.0 .4	4.7 .1	3.7 .08	2.0 .04
K4	inrush holding	4.3 .3	2.5 .2	2.2 .2	1.3 .1	1.1 .08	.9 .07	3.8 .4	1.9 .2	1.1 .08	17.5 .4	4.7 .1	3.7 .08	2.0 .04
K4+	inrush holding	4.6 .4	2.5 .2	2.3 .2	1.2 .1	1.0 .1	.9 .08	4.9 .4	2.0 .2	1.0 .1	20.5 .5	7.5 .1	5.5 .08	2.0 .04
M4	inrush holding	3.0 .6	1.7 .3	1.5 .3	.9 .2	.8 .1	.6 .1	—	—	.8 .1	—	—	—	—
M4+	inrush holding	4.6 .4	2.5 .2	2.3 .2	1.2 .1	1.0 .1	.9 .08	4.1 .4	2.0 .2	1.3 .1	30.3 .5	7.9 .1	5.5 .08	2.0 .04
P4+	inrush holding	—	—	—	—	—	—	—	—	—	30.3 .5	11.3 .1	8.4 .08	3.0 .04

Ordering and Identification Information

The following example and tables provide information for selecting the appropriate three-letter suffix when ordering a Stearns Brake.

Example of a complete part number:

1-056-731-05-FF — Lead wire position (internal and external, left and right)

Series — 230 Vac
 Torque — Does not apply
 Enclosure — 5/8 hub bore and shaft

Hub Bore, Shaft and Keyway Sizes

9th Digit of Model No.	Bore Dia. (X)	Keyway**	Shaft Dia. (U)	Keyway**
5	.625	.19 x .09	.625	.19 x .09
7	.875	.19 x .09	.875	.19 x .09
8*	.875 with sleeve to convert to .625	.19 x .09	.625 with sleeve to convert to .875	.19 x .09

*One sleeve provided in each brake.
 **Keyseats made to ANSI B17.1 standard.

Standard AC Voltage Ratings

Character	Voltage	Hz
B	115	60
D	110	50
E	200	60
F	230 190	60 50
H	220	50
L	460 380	60 50
M	415	50
N	575	60
O	110/220	50
P	115/208 230	60
Q	208 230/460 190/380	60 50
R	200/400	60

Direct Current

Character	Voltage
T	12
U	24
V	36
W	48
X	95
Y	115
Z	230

Consult factory if other DC voltage is needed.

Modifications are available- see SAB Modification Section