

## Parts List for Size 3 CFCBC Clutch-Brakes

Serial and model numbers from nameplate are required when ordering replacement parts.

2-13-2532-00 standard  
2-13-2532-06 spring release

See reverse side for Tor-ac model.

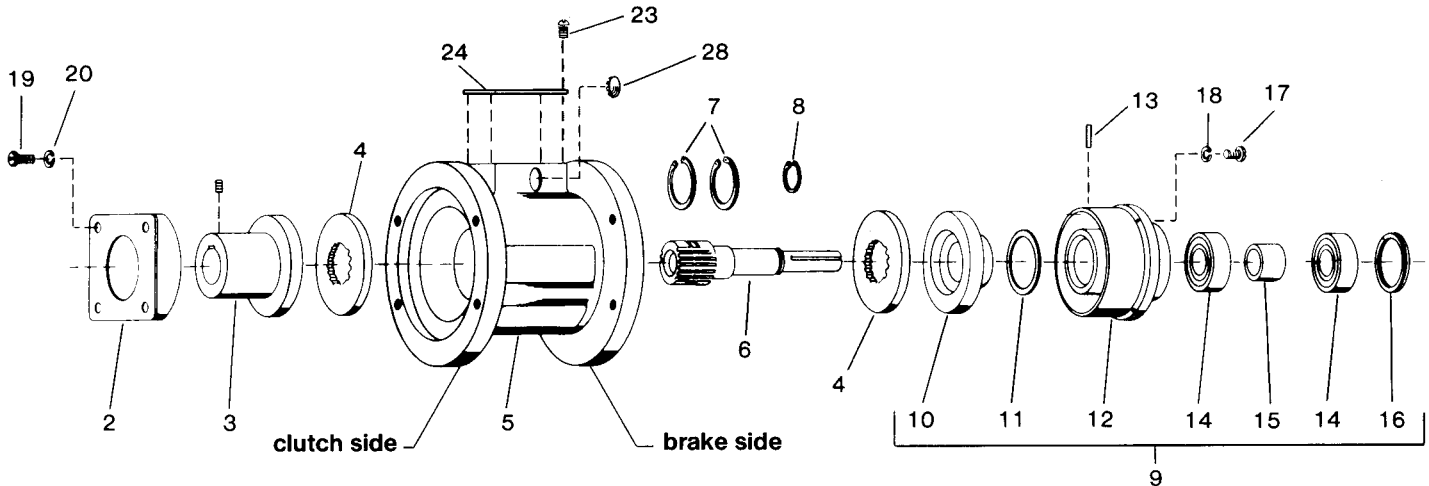


TABLE A

Item No.	Description	Part Number	Qty.
2	Magnet body and coil assembly - clutch 90-100 volts, DC 24-28 volts, DC 12 volts, DC 6 volts, DC	5-04-0030-01-01J	1
		5-04-0030-01-01E	1
		5-04-0030-01-01C	1
		5-04-0030-01-01B	1
3	Drivehub (% dia.)	5-30-0230-00-10L	1
4	Armature	8-405-578-00	2
5	Housing	8-443-013-01	1
6	Shaft - brake (% dia.)	8-464-011-00	1
7	Retaining ring	9-03-0002-00	2
8	Retaining ring	9-03-0026-00	1
9	Brake assembly (includes items 10 through 16) 90-100 volts, DC 24-28 volts, DC 12 volts, DC 6 volts, DC	5-40-5030-01-01J	1
		5-40-5030-01-01E	1
		5-40-5030-01-01C	1
		5-40-5030-01-01B	1
10	Friction face assembly	5-30-0224-02	1
11	Spacer	8-455-109-01	1
12	Magnet body and coil assembly - brake 90-100 volts, DC 24-28 volts, DC 12 volts, DC 6 volts, DC	5-04-0030-02-01J	1
		5-04-0030-02-01E	1
		5-04-0030-02-01C	1
		5-04-0030-02-01B	1
13	Spirol pin	9-32-2020-00	4

TABLE A (continued)

Item No.	Description	Part Number	Qty.
14	Ball bearing	9-01-0022-00	2
15	Spacer	8-455-115-00	1
16	Retaining ring	9-03-0079-00	1
17	Screw	9-10-2708-00	4
18	Lock washer	9-45-0327-00	4
19	Round head screw	9-10-2610-00	4
20	Lock washer	9-45-0326-00	4
23	Screw	9-25-7309-00	4
24	Nameplate	-	1
28	Snap-in blank	9-61-1150-00	1
not shown	Installation and Maintenance Sheet (CFCBC)	8-078-800-04	1

TABLE B

For spring release use:		
Release spring	8-404-803-02	2 required
Cap screw	9-15-9999-00	6 required
Lock washer	9-45-0327-00	6 required

TABLE C

For case hardened armatures use in place of item 4:		
Armature	8-405-578-01	2 required

# Parts List for Size 3 CFCBC Tor-ac® Clutch-Brakes

Serial and model numbers from nameplate are required when ordering replacement parts.

2-13-2581-00 standard  
2-13-2581-01 spring release

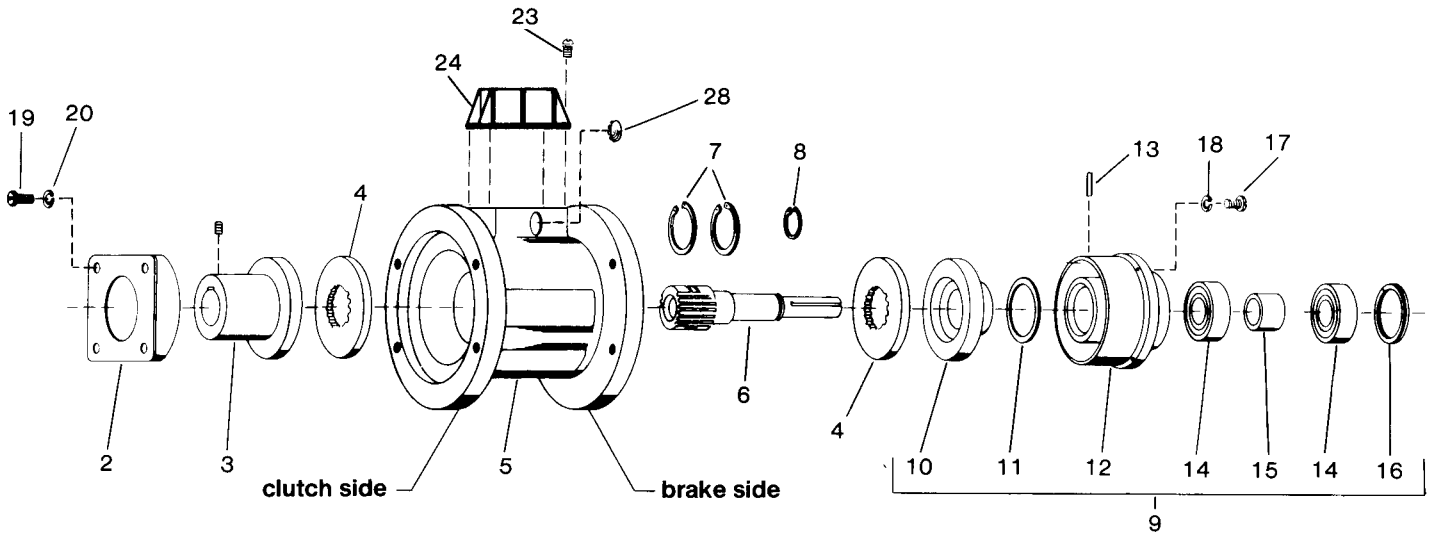


TABLE D

Item No.	Description	Part Number	Qty.
2	Magnet body and coil assembly - clutch 90 - 100 volts, DC	5-04-0030-01-01J	1
3	Drivehub (5/8 dia.)	5-30-0230-00-10L	1
4	Armature	8-405-578-00	2
5	Housing	8-443-013-01	1
6	Shaft - brake (5/8 dia.)	8-464-011-00	1
7	Retaining ring	9-03-0002-00	2
8	Retaining ring	9-03-0026-00	1
9	Brake assembly (includes items 10 through 16) 90 - 100 volts, DC	5-40-5030-01-01J	1
10	Friction face assembly	5-30-0224-02	1
11	Spacer	8-455-109-01	1
12	Magnet body and coil assembly - brake 90 - 100 volts, DC	5-04-0030-02-01J	1
13	Spirol pin	9-32-2020-00	4
14	Ball bearing	9-01-0022-00	2
15	Spacer	8-455-115-00	1
16	Retaining ring	9-03-0079-00	1

TABLE D (continued)

Item No.	Description	Part Number	Qty.
17	Screw	9-10-2708-00	4
18	Lock washer	9-45-0327-00	4
19	Round head screw	9-10-2610-00	4
20	Lock washer	9-45-0326-00	4
23	Screw	9-25-7309-00	4
24	Tor-ac power supply (115 VAC input)	4-1-20190-00	1
28	Snap-in blank	9-61-1150-00	1
not shown	Installation and Maintenance Sheet (Tor-ac CFCBC)	8-078-800-04	1
not shown	Tor-ac Instruction Tag	8-078-861-00	1

TABLE E

For spring release use:		
Release spring	8-404-803-02	2 required
Cap screw	9-15-9999-00	6 required
Lock washer	9-45-0327-00	6 required

TABLE F

For case hardened armatures use in place of item 4:		
Armature	8-405-578-01	2 required