

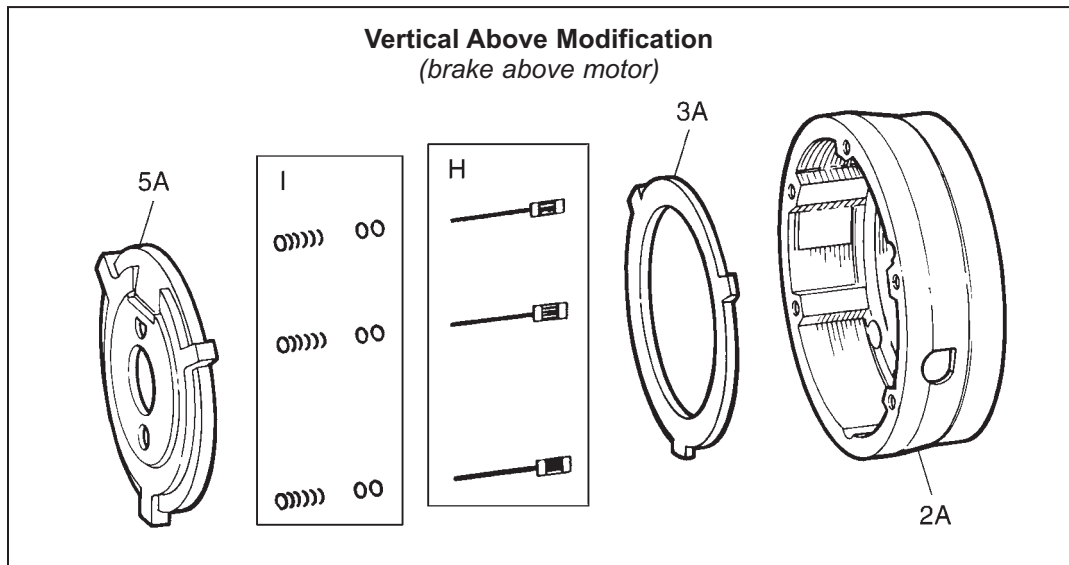
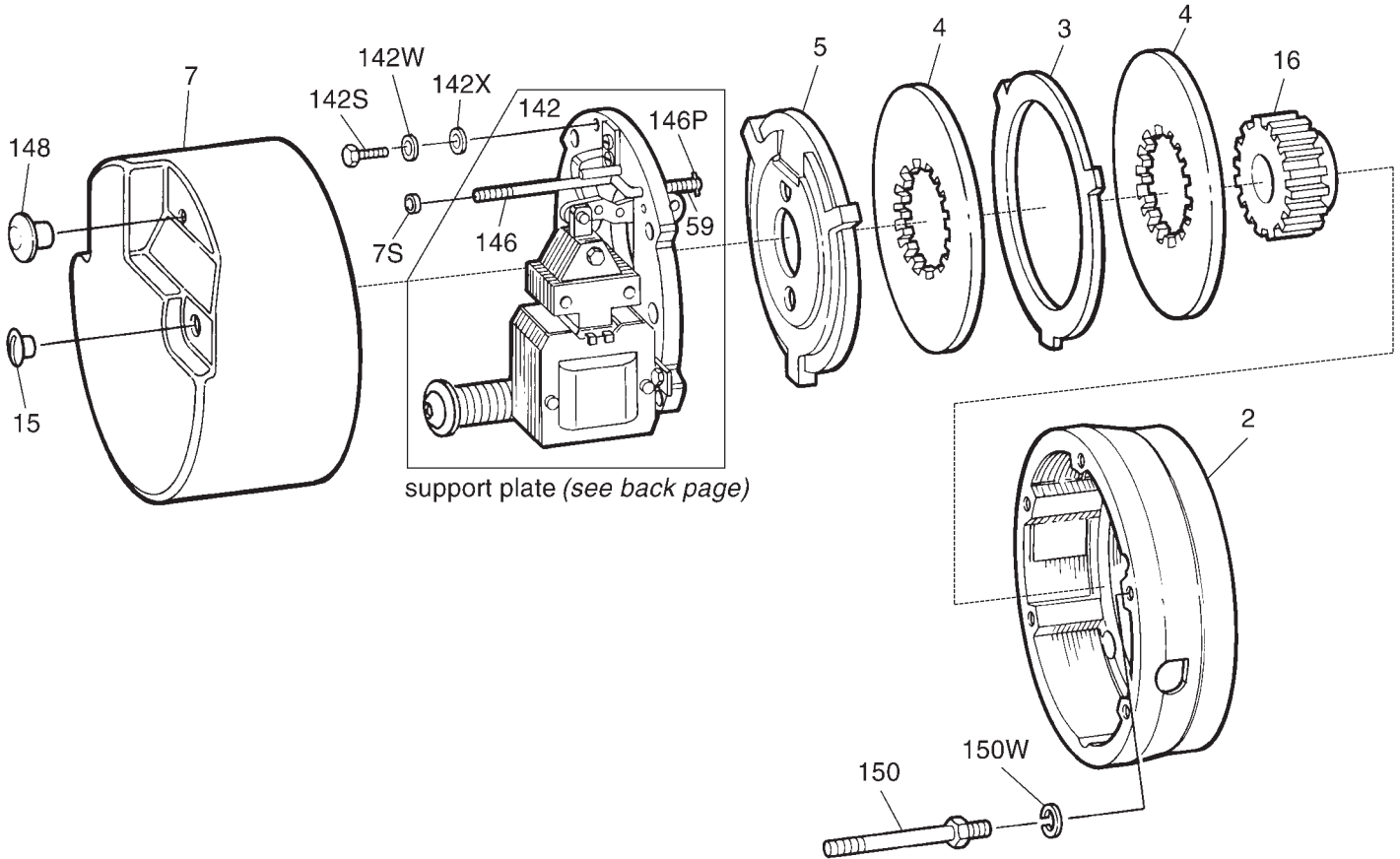
## Parts List for 87,400 Series Brakes

### Information required when ordering replacement parts:

- Give part number of parts or kits needed, brake model number, and brake serial number. The brake model and serial number may identify special brakes not covered by this parts list.
- When ordering hubs, specify shaft diameter (hub bore) and keyway.

### General Information

- For installation and service instructions, see P/N 8-078-927-00.
- Detailed service instruction sheet is included with each kit.



**TABLE 1**  
Components of Standard AC or DC Brake

Item	Description	Part Number ↓	Torque (lb-ft)		10		15		25		35		50		75		105	
			Current		AC	DC	AC	DC	AC	DC	AC	DC	AC	DC	AC	DC	AC	DC
			Brake Model Number →		1-087-412-00	1-087-416-00	1-087-422-00	1-087-426-00	1-087-432-00	1-087-436-00	1-087-442-00	1-087-446-00	1-087-452-00	1-087-456-00	1-087-462-00	1-087-466-00	1-087-482-00	1-087-486-00
not shown	Gasket and seal kit	5-66-1271-00	1	1	1	1	1	1	1	1	1	1	1	1	1	1	1	1
5	Pressure plate (brass)	8-005-703-01	1	1	1	1	1	1	1	1	1	1	1	1	1	1	1	1
4	Friction disc kit (splined)	5-66-8478-00	1	1	1	1	1	1	1	1	1	2	2	2	2	3	3	3
3	Stationary disc (brass)	8-003-704-01										1	1	1	1	2	2	2
16	Hub and set screw assembly (1-disc brake)	5-16-7107-00	1	1	1	1	1	1	1	1	1							
	Hub and set screw assembly (2-disc brake)	5-16-7108-00										1	1	1	1			
	Hub and set screw assembly (3-disc brake)	5-16-7109-00														1	1	
2	Endplate and oil seal assembly Endplate and oil seal assembly Endplate and oil seal assembly	<b>OBSOLETE - Consult Factory</b>																
142*	Support plate assembly (AC)	5-42-7071-00	1															
	Support plate assembly (AC)	5-42-7073-00			1													
	Support plate assembly (AC)	5-42-7075-00					1				1						1	
	Support plate assembly (AC)	5-42-7077-00								1				1				
	Support plate assembly (DC)	5-42-7072-00		1														
	Support plate assembly (DC)	5-42-7074-00				1												
	Support plate assembly (DC)	5-42-7076-00						1				1					1	
	Support plate assembly (DC)	5-42-7078-00								1								1
not shown	Lead wire bushing	8-140-002-05	1	1	1	1	1	1	1	1	1							
	Lead wire bushing	8-140-002-07										1	1	1	1			
	Lead wire bushing	8-140-002-09															1	1

\*Coil is separate.

**TABLE 2**  
Components for Vertical Above Modifications

Item	Description	Part Number ↓	Torque (lb-ft)		10		15		25		35		50		75		105	
			Current		AC	DC	AC	DC	AC	DC	AC	DC	AC	DC	AC	DC	AC	DC
			Brake Model Number →		1-087-412-00	1-087-416-00	1-087-422-00	1-087-426-00	1-087-432-00	1-087-436-00	1-087-442-00	1-087-446-00	1-087-452-00	1-087-456-00	1-087-462-00	1-087-466-00	1-087-482-00	1-087-486-00
5A	Pressure plate	8-005-703-04	1	1	1	1	1	1	1	1	1	1	1	1	1	1	1	1
3A	Vertical above stationary disc	8-003-704-04										1	1	1	1	2	2	2
2A	Endplate and seal assembly with pins (cast iron)	<b>OBSOLETE - Consult Factory</b>																
	Endplate and seal assembly with pins (cast iron)	<b>OBSOLETE - Consult Factory</b>																
	Endplate and seal assembly with pins (cast iron)	<b>OBSOLETE - Consult Factory</b>																
H	Vertical above mounting pin kit (1-disc brake with cast iron endplate)	5-66-3371-00	1	1	1	1	1	1	1	1	1							
	Vertical above mounting pin kit (2-disc brake with cast iron endplate)	5-66-3372-00										1	1	1	1			
	Vertical above mounting pin kit (3-disc brake with cast iron endplate)	5-66-3373-00														1	1	
I	Vertical above spring and spacer kit	5-66-3171-00	1	1	1	1	1	1	1	1	1	1	1	1	1	1	1	1

**TABLE 3 - Components of Support Plate and Coil Assembly\***

Item	Description		Part Number	Torque (lb-ft)							
				10	15	25 & 50	35, 75 & 105				
126	Support plate and bearing assembly		8-126-705-01	1	1	1	1				
79P	Solenoid spacer		8-179-701-00	1	1	1	1				
8	Solenoid lever and pinion kit		5-66-7371-00	1	1	1	1				
17	Lever arm/spring stud assembly		5-17-7703-00	1	1	1	1				
19	Pressure spring screw		8-009-702-01	1	1	1	1				
11	Pressure spring kit - black (formerly blue)		5-66-3072-00	1	1	1	1				
	Pressure spring kit - white (formerly yellow)		5-66-3074-00								
	Pressure spring kit - orange (formerly red)		5-66-3076-00								
	Pressure spring kit - purple (formerly green)		5-66-3078-00								
<b>AC Brakes</b>											
U**	No. 5 AC solenoid kit		5-12-5554-00	1	1	1	1				
	No. 6 AC solenoid kit		5-12-5564-00								
	No. 8 AC solenoid kit		5-12-5584-00								
13B	Solenoid link		8-013-703-00	1	1	1	1				
	Solenoid link		8-013-704-00								
13C	Solenoid link cap screw		8-157-701-00	1	1	1	1				
	Solenoid link cap screw		8-157-702-00								
	Solenoid link cap screw		8-157-703-00								
V	No. 5 Coil Kit 60 Hz	115/230 Vac	5-66-6507-33	1							
		230/460 Vac	5-66-6509-33								
		115 Vac	5-66-6501-33								
		230 Vac	5-66-6502-33								
		460 Vac	5-66-6504-33								
	575 Vac	5-66-6505-33									
	No. 6 Coil Kit 60 Hz	115/230 Vac	5-66-6607-33					1	1	1	
		230/460 Vac	5-66-6609-33								
		115 Vac	5-66-6601-33								
		230 Vac	5-66-6602-33								
		460 Vac	5-66-6604-33								
	575 Vac	5-66-6605-33									
No. 8 Coil Kit 60 Hz	115/230 Vac	5-66-6807-33	1	1	1	1					
	230/460 Vac	5-66-6809-33									
	115 Vac	5-66-6801-33									
	230 Vac	5-66-6802-33									
	460 Vac	5-66-6804-33									
575 Vac	5-66-6805-33										
XX*	Brake release interlock switch		5-57-5504-00	1	1	1	1				
<b>DC Brakes</b>											
W	No. 5 DC solenoid assembly		5-12-5535-00	1	1	1	1				
	No. 6 DC solenoid assembly		5-12-5536-00								
	No. 8 DC solenoid assembly		5-12-5538-00								
VV	No. 5 Coil Assembly	115 Vdc	5-96-6516-33	1	1	1	1				
		230 Vdc	5-96-6517-33								
	No. 6 Coil Assembly	115 Vdc	5-96-6616-33					1	1	1	1
		230 Vdc	5-96-6617-33								
	No. 8 Coil Assembly	115 Vdc	5-96-6816-33					1	1	1	1
		230 Vdc	5-96-6817-33								
X	DC switch assembly		5-57-5501-00	1	1	1	1				
Y	Arc suppression module		5-57-5711-00	1	1	1	1				

\*Consult factory for price and availability on complete support plate assemblies including solenoid.

\*\*AC brakes with the brake release interlock (N.O.) switch Item XX use Item W solenoid assembly for switch mounting in place of Item U.

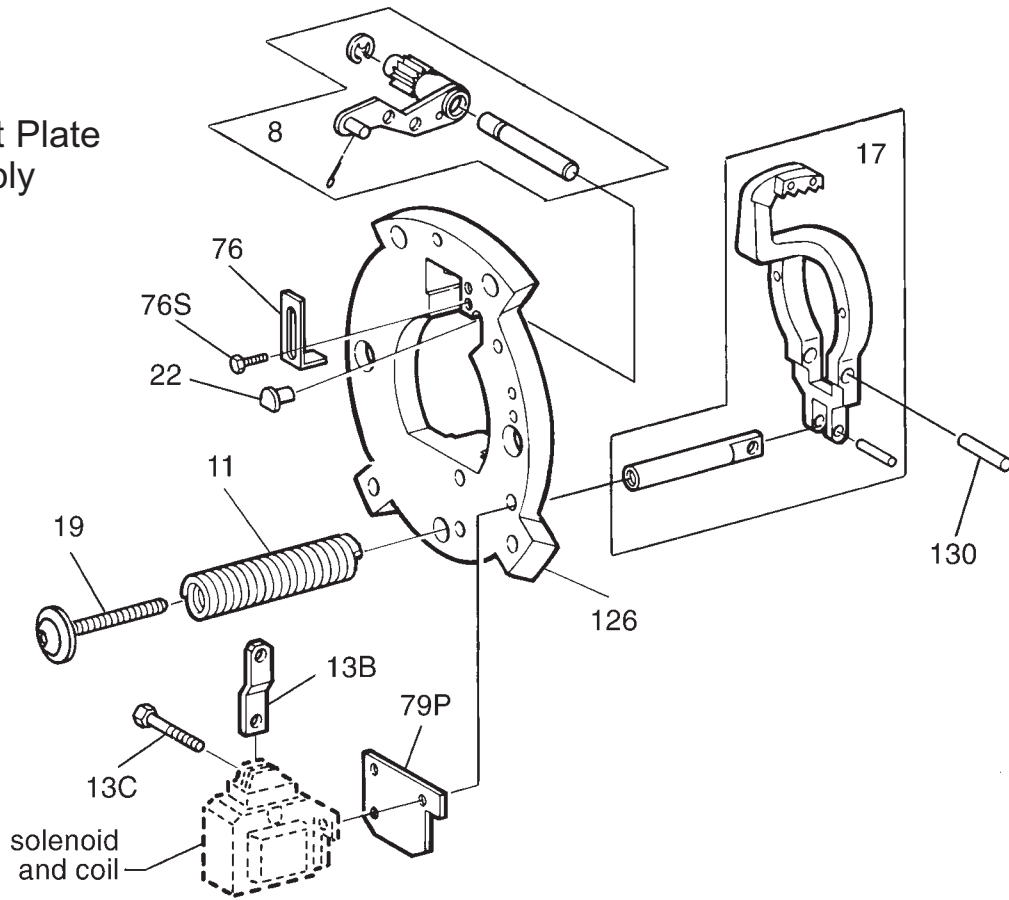
**TABLE 4 - Miscellaneous Brake Components**

Item Number	Description		Part Number	Torque (lb-ft)			
				10	15	25 & 50	35, 75 & 105
<i>not shown</i>	Endplate oil seal		9-02-0081-00	1	1	1	1
7S	Housing seal		9-02-0006-00	1	1	1	1
15	Housing nuts		8-015-701-00	2	2	2	2
22	Solenoid lever stop		8-022-203-00	1	1	1	1
59	Release rod spring		9-70-0801-00	1	1	1	1
76	Wrap spring stop		8-076-703-00	1	1	1	1
76S	Wrap spring stop screw		8-132-701-00	2	2	2	2
130	Lever arm pivot pin		9-32-3111-00	1	1	1	1
142S	Support plate screw		9-13-3060-00	3	3	3	3
142W	Support plate conical spring washer		9-46-0006-00	3	3	3	3
142X	Flat washer, 1/4 I.D. x 9/16 O.D.		9-46-0005-00	3	3	3	3
146	Release rod		8-146-702-00	1	1	1	1
146P	Release spring cotter pin		9-31-4108-00	1	1	1	1
148	Release knob		8-148-703-00	1	1	1	1
150	Housing stud		8-150-706-00	2	2	2	2
150W	Housing stud lock washer		9-45-0331-00	2	2	2	2

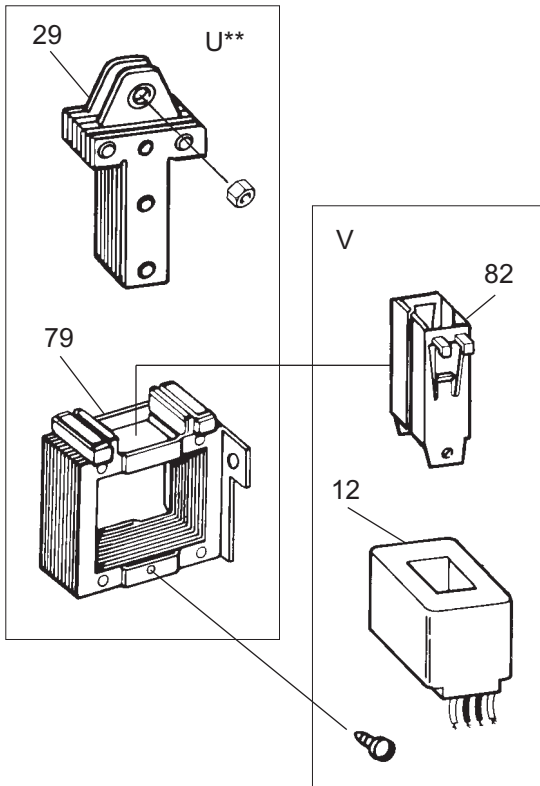
**TABLE 5 - Contents of Kits and Assemblies (contents may vary)**

Letter Designation	Kit Description
<i>not shown</i>	Gasket and seal kit (5-66-1271-00) 1 - Release knob 3 - O-rings 1 - Housing to endplate gasket 2 - Pipe plugs
4	Friction disc kit (splined) (5-66-8478-00) 1 - Friction disc (splined)
H	Vertical above mounting pin kit (5-66-337X-00) 3 - Vertical above mtg. pins
I	Vertical above spring and spacer kit (5-66-3171-00) 9 - Vertical above mounting springs 9 - Vertical above spring spacers
8	Solenoid lever and pinion kit (5-66-7371-00) 1 - Solenoid lever and pinion assembly 1 - Cotter pin 1 - Solenoid lever pivot pin 1 - Pivot pin retaining ring
11	Pressure spring kit (5-66-307X-00) 1 - Pressure spring
U	AC solenoid kit (5-12-55X4-00) 1 - Plunger 1 - Frame 3 - Solenoid mtg. screws 3 - Solenoid mounting lock washers 1 - Solenoid link nut
V	Coil kits (5-66-6XXX-33) AC coils 1 - Coil 2 - Plunger guides 2 - Plunger guide screws
VV	Coil assembly (5-96-6XXX-33) DC coils 1 - Coil 2 - Plunger guides 2 - Plunger guide screws
W	DC solenoid assembly (5-12-553X-00) 1 - Plunger 1 - Frame 3 - Solenoid mtg. screws 3 - Conical spring washers 1 - Solenoid link nut 1 - Cable clamp and screw
X	DC switch assembly (5-57-5501-00) 1 - DC switch 2 - Mounting screws 2 - Lock washers
XX	AC switch assembly (5-57-5504-00) (brake release interlock switch - N.O.) 1 - AC switch 2 - Mounting screws 2 - Lock washers
Y	Arc suppression module (5-57-5711-00) 1 - Arc suppression module 1 - Cable strap

# Support Plate Assembly



# Solenoid and Coil



# DC Components

