

Parts List for 65,300 Series Brakes

Information required when ordering replacement parts:

- When ordering brake parts, give part number of parts or kits needed, brake model number, and brake serial number. The brake model and serial number may identify special brakes not covered by this parts list.
- When ordering hubs, specify shaft diameter (hub bore) and keyway.

For installation and service instructions, see P/N 8-078-925-03. Detailed service instruction sheet is included with each kit.

Note:

- This brake series is listed by UL (Underwriters Laboratories) for use in certain locations classified as hazardous. Installation and servicing must be in compliance with all existing local safety codes. All wiring and electrical connections must comply with the National Electric Code (NEC) and local electrical codes in effect at the time. For additional information see the Underwriters Laboratories (UL) website <http://www.ul.com/hazloc/codes/html>.
- HazLoc inspection authorities are responsible for verifying and authorizing the use of suitably designed, manufactured and installed HazLoc equipment. When questions arise always consult the local **Authority Having Jurisdiction (AHJ)** for directions and approvals.

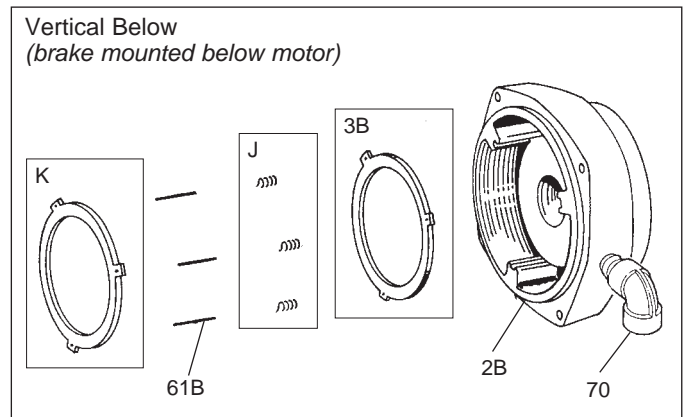
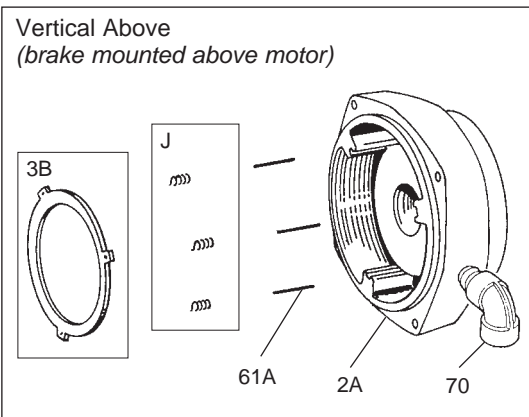
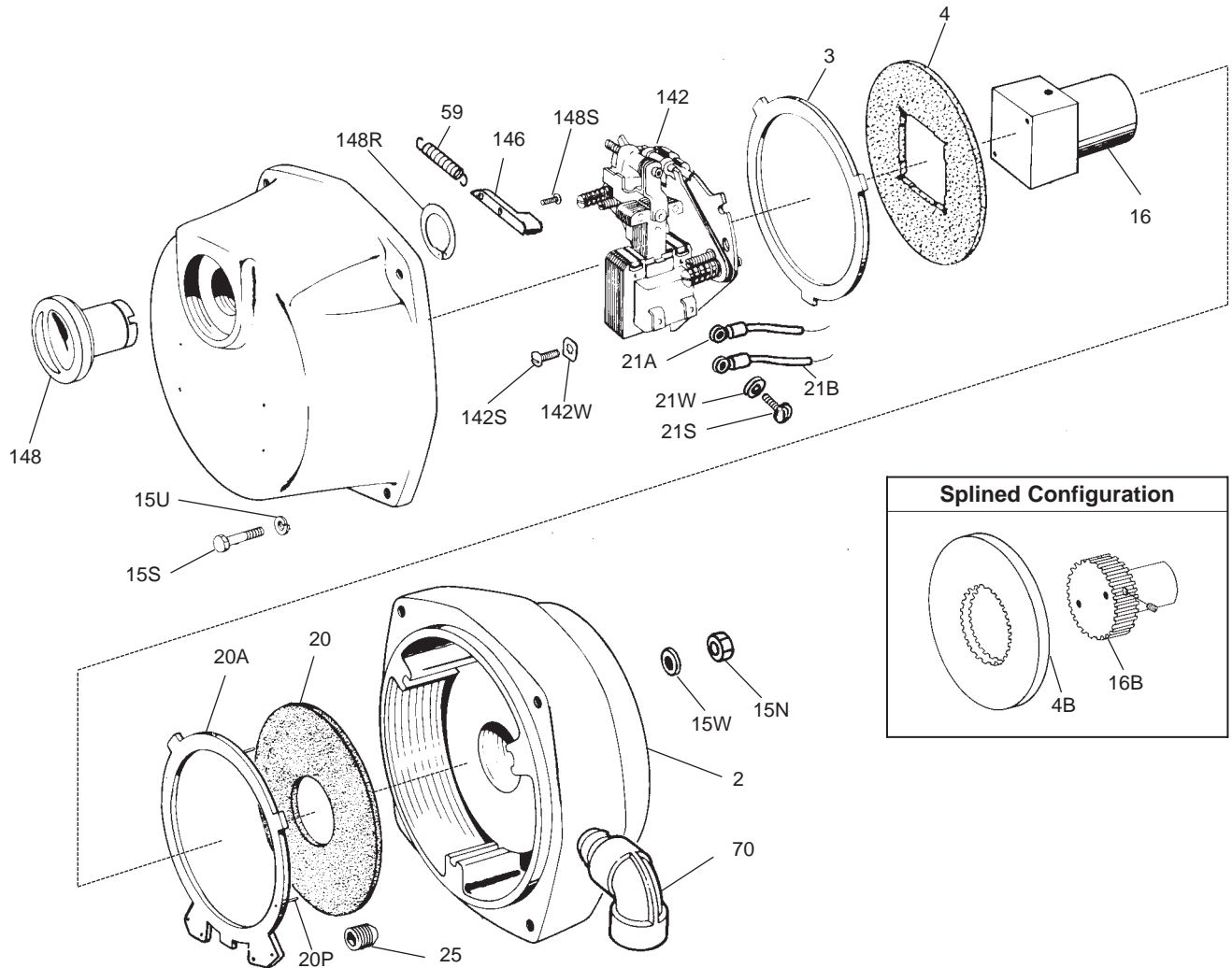
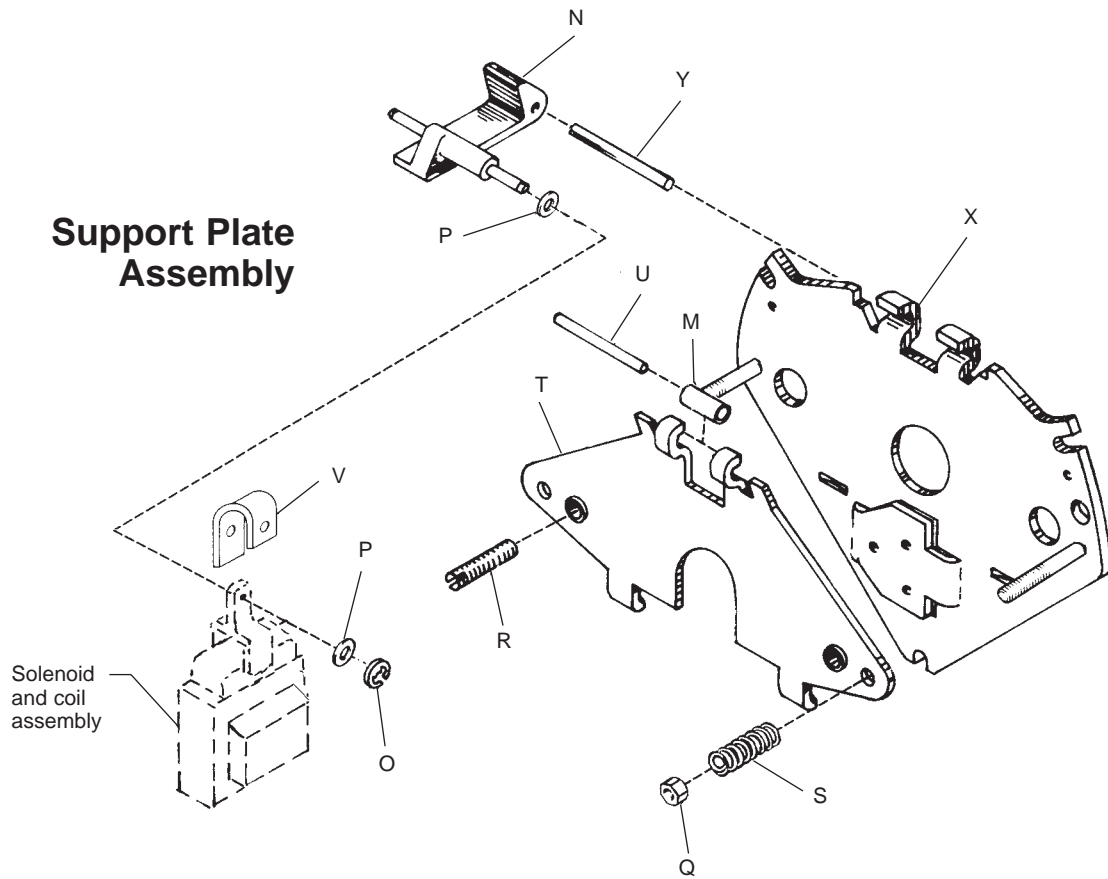


TABLE 1
Components of 65,300 Series Brakes

Item No. or Kit No.	Description	Part Number↓	Cast Iron Enclosure					Aluminum Enclosure					
			Torque (lb-ft)										
			1.5	3	6	10	15	1.5	3	6	10	15	
Brake Model Number→			1-065-311-05	1-065-321-05	1-065-331-05	1-065-351-05	1-065-361-05	1-065-311-06	1-065-321-06	1-065-331-06	1-065-351-06	1-065-361-06	
2*	Housing and endplate assembly Housing and endplate assembly Housing and endplate assembly	5-72-5501-00 5-72-5502-00 5-72-5503-00	1	1	1	1	1						
	Housing and endplate assembly Housing and endplate assembly Housing and endplate assembly	5-72-5504-00 5-72-5505-00 5-72-5506-00						1	1		1	1	1
3	Stationary disc kit	5-66-8351-00	1	1	2	3	3	1	1	2	3	3	3
4	Friction disc	5-66-8452-00	1	1	2	3	3	1	1	2	3	3	3
4B	Friction disc kit - splined	5-66-8458-00	1	1	2	3	3	1	1	2	3	3	3
15S	Cap screw hex head 3/8 - 16 x 2 grade 5	9-16-3232-00	4	4	4	4	4	4	4	4	4	4	4
15U	Flat washer plain 3/8	9-45-0132-00	4	4	4	4	4	4	4	4	4	4	4
15W	Lock washer, spring 3/8 med.	9-45-0332-00	4	4	4	4	4	4	4	4	4	4	4
15N	Nut, hex, reg. 3/8 - 16	9-40-0232-00	4	4	4	4	4	4	4	4	4	4	4
16	Hub and set screw assembly (1-disc brake)	5-16-5008-00	1	1				1	1				
	Hub and set screw assembly (2-disc brake)	5-16-5009-00			1					1			
	Hub and set screw assembly (3-disc brake)	5-16-5010-00				1	1				1	1	
16B	Splined hub and set screw assembly (1-disc brake)	5-16-5138-00	1	1				1	1				
	Splined hub and set screw assembly (2-disc brake)	5-16-5139-00			1					1			
	Splined hub and set screw assembly (3-disc brake)	5-16-5140-00				1	1				1	1	
20	Heat barrier	8-020-501-01	1	1	1	1	1	1	1	1	1	1	1
20A	Insulator disc	8-003-504-01	1	1	1	1	1	1	1	1	1	1	1
20P	Spirol pin 3/32 dia. x 5/8 flared head, stainless steel	9-32-2003-00	3	3	3	3	3	3	3	3	3	3	3
21A	Thermostat and lead wire (red leads)	5-57-5001-00	1	1	1	1	1	1	1	1	1	1	1
21B	Thermostat and lead wire (yellow leads)	5-57-5002-00	1	1	1	1	1	1	1	1	1	1	1
21S	Machine screw, round head #5 - 40 x 1/4	9-10-2504-00	4	4	4	4	4	4	4	4	4	4	4
21W	Lock washer, spring #5 med.	9-45-0325-00	4	4	4	4	4	4	4	4	4	4	4
25	Set screw 3/4 - 16 x 3/4	9-23-0023-00	4	4	4	4	4	4	4	4	4	4	4
59	Release spring	9-71-0005-00	1	1	1	1	1	1	1	1	1	1	1
70	Elbow	9-33-3004-00	1	1	1	1	1	1	1	1	1	1	1
142	Support plate assembly (see Table 2)	5-42-5007-00-04	1	1	1	1	1	1	1	1	1	1	1
142S	Machine screw, filister head #10 - 24 x 1/2	9-12-2808-00	3	3	3	3	3						
142W	Lock washer, star int. teeth #10	9-45-0528-00	3	3	3	3	3						
142S	Thread rolling screw #10 - 24 x 1/2 "Rolok"	9-25-7331-00						3	3	3	3	3	3
146	Release arm	8-146-501-01	1	1	1	1	1	1	1	1	1	1	1
148	Release knob	8-148-504-01	1	1	1	1	1	1	1	1	1	1	1
148R	Retaining ring Truarc #5108-100-ZD	9-03-0001-00	1	1	1	1	1	1	1	1	1	1	1
148S	Machine screw, bind head #8 - 32 x 1/2	9-13-3058-00	1	1	1	1	1	1	1	1	1	1	1
Vertical Above Modifications													
2A**	Housing and endplate assembly Housing and endplate assembly Housing and endplate assembly Housing and endplate assembly	5-72-5512-00 5-72-5513-00 5-72-5515-00 5-72-5516-00	No modification required		1	1	1				1	1	1
	3B 20A	Stationary disc kit Insulator disc		5-66-8352-00 8-003-504-03	2 1	3 1	3 1				2 1	3 1	3 1
61A	Vertical mounting pin Vertical mounting pin	9-32-4062-00 9-32-4071-00		3		3	3				3	3	3
J	Vertical mounting spring kit (blue) Vertical mounting spring kit (white) Vertical mounting spring kit (red)	5-66-3151-00 5-66-3152-00 5-66-3153-00		1 1	1 1	1 1	1 1				1 1	1 1	1 1
Vertical Below Modifications													
2B*	Housing and endplate assembly Housing and endplate assembly Housing and endplate assembly Housing and endplate assembly	5-72-5522-00 5-72-5523-00 5-72-5525-00 5-72-5526-00	No modification required		1	1	1				1	1	1
	K 3B 20A	Pressure plate kit Stationary disc kit Insulator disc		5-66-8553-00 5-66-8352-00 8-003-504-02	1 1 1	1 2 1	1 2 1				1 1 1	1 2 1	1 2 1
61B	Vertical mounting pin Vertical mounting pin	9-32-4070-00 9-32-4062-00		3		3	3				3	3	3
J	Vertical mounting spring kit (blue) Vertical mounting spring kit (white)	5-66-3151-00 5-66-3152-00		1	1	1	1				1	1	1

* Includes 15S, 15U, 15W, 15N, 20, 20A, 20P, 21A, 21B, 21S, 21W, 25, 59, 70, 146, 148, 148R, 142S

**Includes 15S, 15U, 15W, 15N, 20, 20A, 20P, 21A, 21B, 21S, 21W, 25, 59, 61A, 70, 146, 148, 148R, 148S



Solenoid and Coil

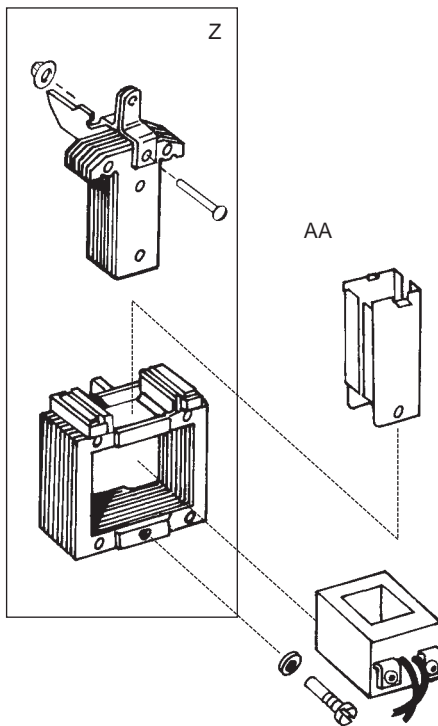


TABLE 2

Components of Support Plate Assembly
(less coil) 5-42-5007-00-04

Item	Description	Part Number	Number Required
M	Bearing	8-006-501-00	1
N	Solenoid lever	8-008-504-01	1
O	Retaining ring	9-03-0057-00	1
P	Spacer	9-45-0168-00	2
Q	Torque adjustment nut	9-40-3928-00	2
R	Wear adjustment screw	8-100-501-00	2
S	Pressure spring	9-70-1302-00	2
T	Lever arm and stop nut assembly	5-17-5002-00	1
U	Bearing pin	9-29-4826-00	1
V	Plunger stop	8-094-503-00	1
X	Support plate and stop nut assembly	5-26-5017-00	1
Y	Pivot pin	9-29-4836-00	1
Z	Solenoid assembly	5-12-5543-00	1

TABLE 3

Item	Description	Part Number	Number Required	
AA	No. 4 coil assembly 60 Hz	230/460 Vac	5-96-6409-05	1
		115 VAC	5-96-6401-05	1
		230 VAC	5-96-6402-05	1
		460 VAC	5-96-6404-05	1
		575 VAC	5-96-6405-05	1

Above coils are UL listed as Class A, however, they contain Class H insulation.

TABLE 4

Replacement

Torque (lb-ft)	Current Model Number	Obsolete Model Numbers
1.5	1-065-311-05	UH-52 or UHC-52
3	1-065-321-05	UH-52A or UHC-52A
6	1-065-331-05	UH-54 or UHC-54
10	1-065-351-05	UH-56A or UHC-56A
15	1-065-361-05	UH-56B or UHC-56B
1.5	1-065-311-06	UHB-52 or UHCB-52
3	1-065-321-06	UHB-52A or UHCB-52A
6	1-065-331-06	UHB-54 or UHCB-54
10	1-065-351-06	UHB-56A or UHCB-56A
15	1-065-361-06	UHB-56B or UHCB-56B

TABLE 5

Contents of Kits and Assemblies
(contents may vary)

Letter Designation	Kit Description
3	Stationary disc kit (5-66-8351-00) 1 - Stationary disc
3B	Stationary disc kit (vertical mounting (5-66-8352-00) 1 - Stationary disc for vertical above or below mounting
J	Vertical mounting spring kit - blue (5-66-3151-00) 3 - Vertical mounting springs - blue
	Vertical mounting spring kit - white (5-66-3152-00) 3 - Vertical mounting springs - white
	Vertical mounting spring kit - red (5-66-3153-00) 3 - Vertical mounting springs - red
K	Pressure plate kit - vertical mounting (5-66-8553-00) 1 - Pressure plate - vertical below
Z	No. 4 AC solenoid assembly (5-12-5543-00) 1 - Plunger 1 - Solenoid link 1 - Frame 1 - Solenoid link cap screw 1 - Solenoid link nut 3 - Solenoid mounting screws
AA	#4 coil assembly (5-96-64XX-05) 1 - Coil 2 - Plunger guides 1 - Plunger guide screw 1 - Plunger guide lock washer



Rexnord Industries, LLC
Stearns Division
5150 S. International Dr.
Cudahy, WI 53110
(414) 272-1100 Fax: (414) 277-4364 www.stearns.rexnord.com