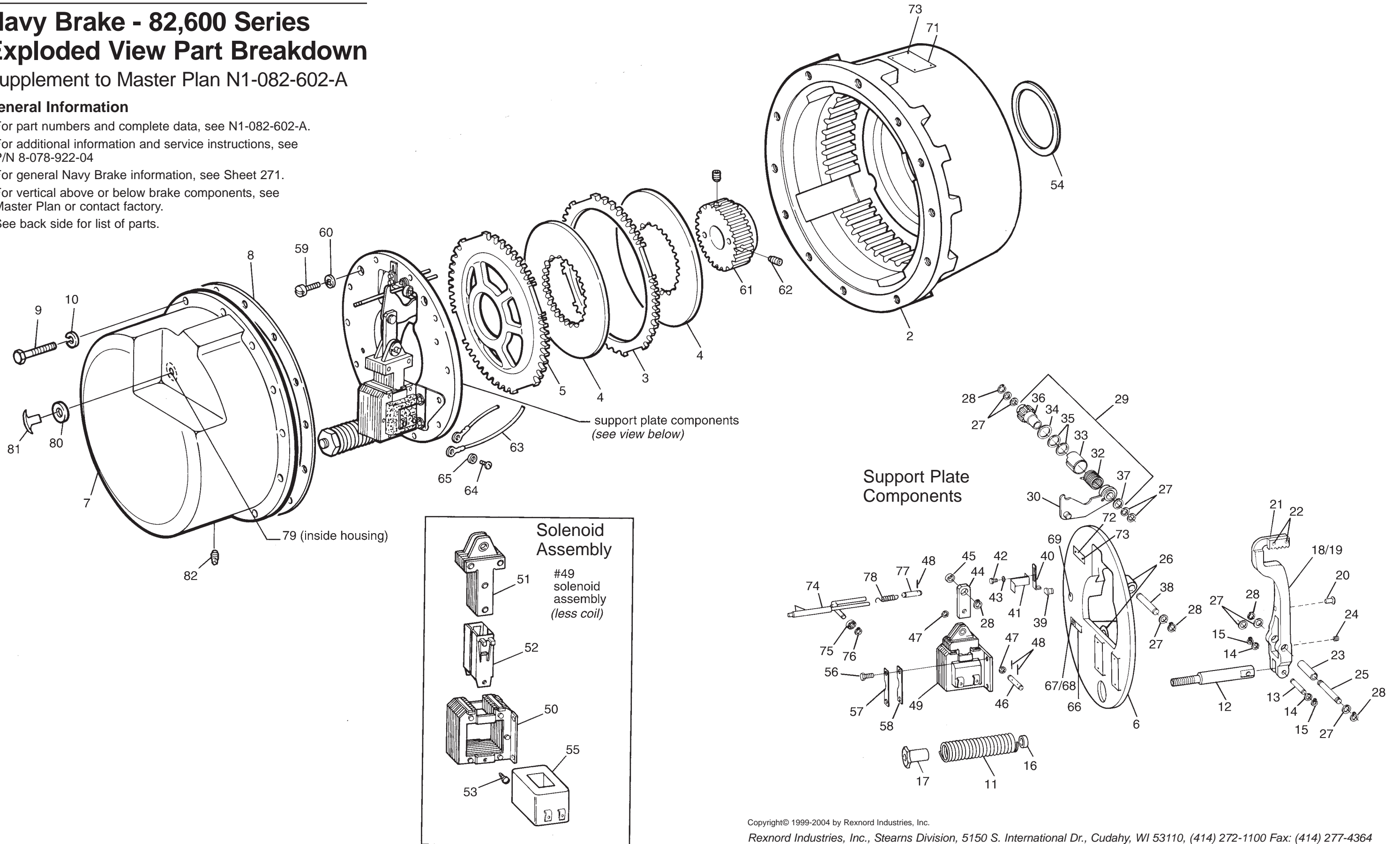


Navy Brake - 82,600 Series Exploded View Part Breakdown

Supplement to Master Plan N1-082-602-A

General Information

- For part numbers and complete data, see N1-082-602-A.
- For additional information and service instructions, see P/N 8-078-922-04
- For general Navy Brake information, see Sheet 271.
- For vertical above or below brake components, see Master Plan or contact factory.
- See back side for list of parts.



Item No.	Description	Manufacturer's Part Number↓	Torque (lb-ft)	125	175	230	330	440	550
			Brake Model Number→	1-082-612-00	1-082-622-00	1-082-632-00	1-082-642-00	1-082-652-00	1-082-662-00
2	Endplate (<i>horizontal or vertical below</i>)	8-002-232-01 8-002-233-01	1	1	1	1		1	1
	Endplate (<i>vertical above</i>)	8-002-232-02 8-002-233-02	1	1	1	1		1	
3	Stationary disc (<i>horizontal</i>)	8-003-208-01	1	1	2	2	3	4	
4	Stationary disc (<i>vertical</i>)	8-003-208-02	1	1	2	2	3	4	
	Friction disc	8-004-208-00	2	2	3	3	4	5	
5	Pressure plate (<i>horizontal</i>)	8-005-208-01	1	1			1		
	Pressure plate (<i>vertical above</i>)	8-005-207-01 8-005-208-02	1	1	1	1	1	1	*
	Pressure plate (<i>vertical below</i>)	8-005-207-02 8-005-208-03	1	1	1	1	1	1	*
		8-005-207-03			1	1			
6	Support plate	8-126-205-01	1	1	1	1	1	1	
7	Housing	8-007-209-01	1	1	1	1	1	1	
8	Gasket	8-069-205-00	1	1	1	1	1	1	
9	Cap screw (<i>hex head 3/8 - 16 x 1</i>)	9-16-5216-00	12	12	12	12	12	12	
10	Lock washer 3/8 medium	9-45-0352-00	12	12	12	12	12	12	
11	Pressure spring (<i>green</i>)	9-70-4601-00	1						
	Pressure spring (<i>yellow</i>)	9-70-6001-00		1	1				
	Pressure spring (<i>red</i>)	9-70-5801-00				1	1	1	
12	Pressure spring stud	8-152-201-00	1	1	1	1	1	1	
13	Pivot pin, spring stud	8-118-202-00	1	1	1	1	1	1	
14	Washer, flat	8-138-701-00	2	2	2	2	2	2	
15	Retaining ring	9-03-0019-00	2	2	2	2	2	2	
16	Spacer, pressure spring (<i>7/8" long</i>)	8-134-001-02	1	1					
	Spacer, pressure spring (<i>1" long</i>)	8-134-001-03			1				
	Spacer, pressure spring (<i>1 1/4" long</i>)	8-134-001-05				1	1	1	
17	Pressure spring nut	8-019-201-00	1	1	1	1	1	1	
18	Lever arm assembly	5-17-2004-00	1	1	1	1	1	1	
19	Lever arm (<i>part of 18</i>)	8-017-203-03	1	1	1	1	1	1	
20	Drive screw (<i>part of 18</i>)	9-25-1908-00	2	2	2	2	2	2	
21	Sector gear (<i>part of 18</i>)	8-031-202-00	1	1	1	1	1	1	
22	Straight pin (<i>part of 18</i>)	9-29-5018-00	2	2	2	2	2	2	
23	Eccentric sleeve	8-054-201-00	1	1	1	1	1	1	
24	Set screw (<i>1/4 - 20 x 1/4</i>)	9-22-1004-00	2	2	2	2	2	2	
25	Pivot pin, lever arm	8-118-204-00	1	1	1	1	1	1	
26	Sleeve bearing	9-04-0150-00	4	4	4	4	4	4	
27	Washer, flat	8-138-201-00	8	8	8	8	8	8	
28	Retaining ring	9-03-0020-00	5	5	5	5	5	5	
29	Solenoid lever and pinion assembly	5-32-2002-00	1	1	1	1	1	1	
30	Solenoid lever (<i>part of 29</i>)	5-28-2004-00	1	1	1	1	1	1	
32	Wrap spring (<i>part of 29</i>)	9-71-1003-00	1	1	1	1	1	1	
33	Sleeve (<i>part of 29</i>)	8-054-203-00	1	1	1	1	1	1	
34	Spacer, sleeve (<i>part of 29</i>)	8-141-202-00	1	1	1	1	1	1	
35	Spacer, wrap spring (<i>part of 29</i>)	8-141-101-00	2	2	2	2	2	2	
36	Pinion (<i>part of 29</i>)	8-032-201-00	1	1	1	1	1	1	
37	Retaining ring (<i>part of 29</i>)	9-03-0012-00	1	1	1	1	1	1	
38	Pivot pin (<i>solenoid lever</i>)	8-131-201-00	1	1	1	1	1	1	
39	Stop	8-022-603-00	1	1	1	1	1	1	
40	Stop (<i>wrap spring</i>)	8-076-203-00	1	1	1	1	1	1	
41	Holding plate (<i>stop</i>)	8-076-204-00	1	1	1	1	1	1	
42	Cap screw, socket head (<i>10 - 24 x 3/4</i>)	9-17-2812-00	2	2	2	2	2	2	
43	Lock washer, #10	9-45-0328-00	2	2	2	2	2	2	
44	Solenoid link	8-013-206-00	1	1	1	1	1	1	
45	Sleeve bearing	9-04-1001-00	1	1	1	1	1	1	
46	Pivot pin (<i>solenoid link</i>)	8-012-201-00	1	1	1	1	1	1	
47	Washer, flat	8-060-202-00	2	2	2	2	2	2	
48	Roll pin	9-32-4012-00	3	3	3	3	3	3	
49	Solenoid assembly (<i>less coil</i>)	5-12-0594-00	1	1	1	1	1	1	
50	Solenoid frame (<i>part of 49</i>)	5-79-6405-00	1	1	1	1	1	1	
51	Solenoid plunger (<i>part of 49</i>)	5-29-0597-00	1	1	1	1	1	1	
52	Plunger guide (<i>part of 49</i>)	8-082-581-00	2	2	2	2	2	2	
53	Plunger guide screw (<i>part of 49</i>)	9-25-9013-00	2	2	2	2	2	2	
54	Oil seal	9-02-0086-00	1	1	1	1	1	1	
55	Coil								
	115 V/60 Hz (#9)	6-5-91156-01	1	1	1				
	115 V/60 Hz (#K9)	6-5-91166-01				1	1	1	
	230 V/60 Hz (#9)	6-5-92306-01	1	1	1				
	230 V/60 Hz (#K9)	6-5-92316-01				1	1	1	

Item No.	Description	Manufacturer's Part Number↓	Torque (lb-ft)	125	175	230	330	440	550
			Brake Model Number→	1-082-612-00	1-082-622-00	1-082-632-00	1-082-642-00	1-082-652-00	1-082-662-00
55 (<i>cont.</i>)	440 V/60 Hz (#9)	6-5-94406-01	1	1	1				
	440 V/60 Hz (#K9)	6-5-94416-01				1	1	1	
	460 V/60 Hz (#9)	6-5-94606-01	1	1	1				
	460 V/60 Hz (#K9)	6-5-94616-01				1	1	1	
55	Coil kit (<i>includes items 52, 53, 55, 63, 64 & 65</i>)								
	115 V/60 Hz (#9)	5-96-6901-05	1	1	1				
	115 V/60 Hz (#K9)	5-96-6951-05				1	1	1	
	230 V/60 Hz (#9)	5-96-6902-05	1	1	1				
	230 V/60 Hz (#K9)	5-96-6952-05				1	1	1	
	440 V/60 Hz (#9)	5-96-6904-15	1	1	1				
	440 V/60 Hz (#K9)	5-96-6992-15				1	1	1	
460 V/60 Hz (#9)	5-96-6904-05	1	1	1					
460 V/60 Hz (#K9)	5-96-6954-05				1	1	1		
56	Cap screw, hex head (<i>1/4 - 20 x 5/8</i>)	8-350-002-00	6	6	6	6	6	6	
57	Lock plate	8-076-206-00	2	2	2	2	2	2	
58	Holding plate	8-076-207-00	2	2	2	2	2	2	
59	Cap screw, socket head (<i>5/16 - 18 x 1 1/4</i>)	9-17-3120-00	10	10	10	10	10	10	
60	Lock washer (<i>5/16 - hi-collar</i>)	9-45-1331-00	10	10	10	10	10	10	
61 & 62	Hub and set screw assembly	5-16-2106-00	1	1					
	Hub and set screw assembly	5-16-2108-00							
	Hub and set screw assembly	5-16-2110-00					1		
	Hub and set screw assembly	5-16-2112-00						1	
63	Leadwire/terminal assembly (<i>6 - 32 x 1/4</i>)	5-39-0636-00	2	2	2	2	2	2	
64	Machine screw, binding head	9-13-3017-00	2	2	2	2	2	2	
65	Lock washer, #6	9-45-0326-00	2	2	2	2	2	2	
66	Lead wire clamp (<i>10 - 24 x 3/8</i>)	9-61-0010-00	1	1	1	1	1	1	
67	Machine screw, round head	9-10-2806-00	1	1	1	1	1	1	
68	Lock washer, #10	9-45-0328-00	1	1	1	1	1	1	
69	Lead wire bushing, support plate	8-140-003-02	1	1	1	1	1	1	
70	Lead wire bushing, endplate	8-140-002-11	1	1	1	1		1	
71	Nameplate	8-140-002-13					1	1	
72	Instruction plate	8-078-003-00	1	1	1	1	1	1	
72	Instruction plate	8-078-055-00	1	1	1	1	1	1	
73	Drive screw, Type U (#4 x 3/16)	9-25-9002-00	6	6	6	6	6	6	
74	Release rod	8-146-203-01	1	1	1	1	1	1	
75	Bearing	8-006-201-00	1	1	1	1	1	1	
76	Retaining ring	9-03-0007-00	1	1	1	1	1	1	
77	Spring tube	8-053-201-00	1	1	1	1	1	1	
78	Release spring	9-71-0004-00	1	1	1	1	1	1	
79	Guide and bearing	8-021-663-00	1	1	1	1	1	1	
80	Oil seal	9-02-0020-00	1	1	1	1	1	1	
81	Release knob	8-148-804-00	1	1	1	1	1	1	
82	Pipe plug	9-33-0150-00	1	1	1	1	1	1	
83	Spacer	8-138-208-00	*	*	*	*	*	*	
84	Spacer	8-138-207-00	*	*	*	*	*	*	
85	Vertical below spring (<i>orange</i>)	9-70-1009-00	4	4	4	4	4	4	
86	Vertical below spring (<i>yellow</i>)	9-70-1006-00			4	4	4	4	
87	Vertical below spring (<i>green</i>)	9-70-1106-00				4	4	4	
87	Vertical above spring (<i>green</i>)	9-70-1106-00	4	4	4	4	4	4	
88	Vertical above spring (<i>blue</i>)	9-70-1005-00	4	4	4	4	4	4	
89	Vertical above spring (<i>white</i>)	9-70-1004-00			4	4	4	4	
90	Vertical above spring (<i>red</i>)	9-70-1105-00					4	4	
91	Vertical below mounting pin	8-061-210-00	4	4					
	Vertical below mounting pin	8-061-211-00			4	4			
	Vertical below mounting pin	8-061-212-00					4		
91	Vertical above mounting pins	8-061-208-00	4	4	4	4			
91	Vertical above mounting pins	8-061-209-00					4		
92	Plunger guide								
	Vertical above kit (<i>includes items 92, 93, 94, 95 & 96</i>)	5-55-2002-00	1	1	1	1	1	1	
	Vertical above bracket	8-170-203-00	1	1	1	1	1	1	
	Vertical below AC coil	8-170-204-00	1	1	1	1	1	1	
Vertical below DC coil	8-170-205-00	1	1	1	1	1	1		
93	Lock washer (<i>1/4 medium</i>)	9-45-0330-00	2	2	2	2	2	2	
94	Cap screw, hex head (<i>1/4 - 20 x 1</i>)	9-16-3016-00	2	2	2	2	2	2	
95	Shim, vertical guide (<i>as required</i>)	8-45-4016-00	2	2	2	2	2	2	
96	Spacer	8-45-4018-00	1	1	1	1	1	1	
*	1-082-662-00 cannot vertically mount								
3	Carrier ring modification (R633) horizontal only								
3	Stationary disc	8-003-210-01	1	1	2	2	3	4	
4	Carrier ring, friction discs	5-18-2002-00	2	2	3	3	4	5	
5	Pressure plate	8-005-210-01			1	1			
5	Pressure plate	8-005-211-01	1						