

			Style UH (Motor Mounted)						Style UHF (Foot Mounted)									
			Nominal Static Torque (lb-ft) →		10	15	25	35	50	75	105	10	15	25	35	50	75	105
			Size →		72	72A	72B	74C	74	76	76A	72	72A	72B	74C	74	76	76A
			Brake Model Number →		1-067-011-00	1-067-021-00	1-067-031-00	1-067-041-00	1-067-051-00	1-067-071-00	1-067-081-00	1-067-012-00	1-067-022-00	1-067-032-00	1-067-042-00	1-067-052-00	1-067-072-00	1-067-082-00
Item or Kit No.	Description	Part Number ↓																
20	Heat barrier	8-020-701-01	1	1	1	1	1	1	1	1	1	1	1	1	1	1	1	1
25	Set screw, special	8-025-701-00	4	4	4	4	4	4	4	4	4	4	4	4	4	4	4	4
33	Collar, floor stand	8-033-701-01									1	1	1	1	1	1	1	1
33S	Set screw 1/4 - 20 x 3/8" cup point	9-22-1006-00									2	2	2	2	2	2	2	2
34	Floor stand bracket	8-034-702-01									1	1	1	1	1	1	1	1
34S	Cap screw, socket head 1/2 - 13 x 1-1/4"	9-17-1420-00									4	4	4	4	4	4	4	4
35	Brake shaft 1-1/2" diameter	8-035-701-00									1	1	1					
	Brake shaft 1-1/2" diameter	8-035-702-00												1	1	1	1	1
35R	Retaining ring Truarc 5108-137	9-03-0002-00									2	2	2	2	2	2	2	2
35K	Key 1/4 x 1/4 x 2-9/16"	9-50-1039-00									1	1	1					
	Key 1/4 x 1/4 x 2-7/8"	9-50-1046-00												1	1	1	1	1
59	Release spring	8-059-701-00	1	1	1	1	1	1	1	1	1	1	1	1	1	1	1	1
70	Conduit box and cover	5-08-0024-00	1	1	1	1	1	1	1	1	1	1	1	1	1	1	1	1
141	Bearing spacer	8-141-701-00									1	1	1	1	1	1	1	1
141B	Ball bearing	9-01-6706-00									2	2	2	2	2	2	2	2
141R	Retaining ring Truarc 5008-300	9-03-0003-00									2	2	2	2	2	2	2	2
142	Support plate assembly (see Table 2)	5-42-7041-00	1								1							
	Support plate assembly (see Table 2)	5-42-7043-00		1								1						
	Support plate assembly (see Table 2)	5-42-7045-00			1		1	1					1			1	1	
	Support plate assembly (see Table 2)	5-42-7047-00				1								1				
	Support plate assembly (see Table 2)	5-42-7049-00							1									1
142S	Machine screw filister hd. 1/4 - 20 x 7/8"	9-12-3014-00	3	3	3	3	3	3	3	3	3	3	3	3	3	3	3	3
142W	Lock washer, spring 1/4"	9-45-1330-00	3	3	3	3	3	3	3	3	3	3	3	3	3	3	3	3
146	Release arm	8-146-701-01	1	1	1	1	1	1	1	1	1	1	1	1	1	1	1	1
146S	Machine screw round head 8 - 32 x 5/8"	9-10-2710-00	1	1	1	1	1	1	1	1	1	1	1	1	1	1	1	1
146W	Lock washer star internal - external #8	9-45-0627-00	1	1	1	1	1	1	1	1	1	1	1	1	1	1	1	1
148	Release knob	8-148-702-01	1	1	1	1	1	1	1	1	1	1	1	1	1	1	1	1
148R	Retaining ring Truarc 5108-100-ZD	9-03-0001-00	1	1	1	1	1	1	1	1	1	1	1	1	1	1	1	1
180	Insulator disc	8-003-702-01	1	1	1	1	1	1	1	1	1	1	1	1	1	1	1	1
180P	Spirol pin flared head 3/16 diameter x 1"	9-32-2004-00	3	3	3	3	3	3	3	3	3	3	3	3	3	3	3	3
Vertical Above Modification																		
2A	Housing and endplate assembly	<i>consult factory</i>	1	1	1													
	Housing and endplate assembly	<i>consult factory</i>				1	1											
	Housing and endplate assembly	<i>consult factory</i>							1									
	Housing and endplate assembly	<i>consult factory</i>								1								
	(includes Items 15, 15W, 20, 61A, 59, 70 and 146 through 180P)																	
3	Stationary disc kit	5-66-8372-00				1	1	2	2		<i>not available</i>							
180A	Insulator disc	8-003-702-02	1	1	1	1	1	1	1									
5A	Pressure plate	8-005-701-02	1	1	1	1	1	1	1									
61A	Vertical mounting pin kit (not shown)	5-66-3372-00	1	1	1													
	Vertical mounting pin kit (not shown)	5-66-3373-00				1	1											
62A	Vertical mounting spring kit (not shown)	5-66-3171-00	1	1	1	1	1	1	1									
Vertical Below Modification																		
2B	Housing and endplate assembly	<i>consult factory</i>	<i>no modification required</i>				1	1			<i>not available</i>							
	Housing and endplate assembly	<i>consult factory</i>							1									
	Housing and endplate assembly	<i>consult factory</i>								1								
3	Stationary disc kit	5-66-8372-00	1	1	2	2												
180A	Insulator disc	8-003-702-02	1	1	1	1												
5B	Pressure plate	8-005-701-03	<i>no modification required</i>				1	1	1	1								
61B	Vertical mounting pin	8-061-715-00					3	3										
61C	Vertical mounting pin	8-061-716-00							3	3								
62B	Vertical below spring kit (green)	5-66-3172-00					1	1	1	1								
	Vertical below spring kit (red)	5-66-3173-00			1	1												

TABLE 2
Components of Support Plate Assemblies

			Torque (lb-ft)	10	15	25 50 75	35	105
			Assembly Part Number →	5-42-7041-00	5-42-7043-00	5-42-7045-00	5-42-7047-00	5-42-7049-00
Item No.	Description	Part Number ↓						
6	Ball bearing	9-01-6801-00	1	1	1	1	1	1
9	Torque adjustment screw	8-009-701-00	1	1	1			1
	Torque adjustment screw	8-009-802-00					1	
10	Wear adjustment stud #5 and #6 solenoid	8-010-701-00	1	1	1	1	1	
	Wear adjustment stud #8 solenoid	8-010-702-00						1
10A	Wear adjustment nut	8-110-701-00	1	1	1	1	1	1
11	Pressure spring	9-70-2503-00	1					
	Pressure spring	9-70-2703-00			1		1	
	Pressure spring	9-70-2602-00		1				
	Pressure spring	9-70-2702-00						1
12	#5 AC solenoid assembly	5-12-5525-00	1					
	#6 AC solenoid assembly	5-12-5526-00		1	1	1	1	
	#8 AC solenoid assembly	5-12-5527-00						1
13C	Cap screw special	8-157-701-00	1					
	Cap screw special	8-157-702-00		1	1	1	1	
13P	Straight pin	9-29-5232-02						1
13N	Elastic stop nut 1/4 - 20	9-40-3730-00	1	1	1	1	1	
13W	Washer, flat brass	9-45-0172-00						1
13K	Cotter pin 3/32 x 1 stainless steel	9-31-4316-00						2
17	Lever arm - #5 and #6 solenoid	8-017-701-01	1	1	1	1	1	
	Lever arm - #8 solenoid	8-017-701-02						1
17A	Wear adjustment cap screw	8-036-702-00	1	1	1	1	1	1
17B	(Cap screw) kep 1/4 - 20	9-40-2830-00	1	1	1	1	1	1
26	Bearing pin	9-29-5022-00	1	1	1	1	1	1
27	Wear indicator pin	8-027-701-00	1	1	1	1	1	
	Wear indicator pin	8-027-801-00						1
58	Solenoid lever	8-008-701-01	1	1	1	1	1	
	Solenoid lever	8-008-702-01						1
64	Cotter pin 3/32 x 1/2 stainless steel	9-31-4308-00	1	1	1	1	1	1
126	Support plate	8-126-701-04	1	1	1	1	1	1
130	Lever arm pivot pin	9-29-5036-00	1	1	1	1	1	1
131	Indicator pivot pin	9-29-5041-00	1	1	1	1	1	1
133	Spring tube	8-133-701-00	1	1	1	1	1	
	Spring tube	8-133-702-00						1
134	Pressure spring washer	9-04-0902-00	2	2	2	1		2
138	Bearing - washer type	8-138-101-00	4	4	4	4	4	4
156	Release bar - link #5 and #6 solenoid	8-156-701-01	1	1	1	1		
	Release bar - link #8 solenoid	8-156-702-01						1

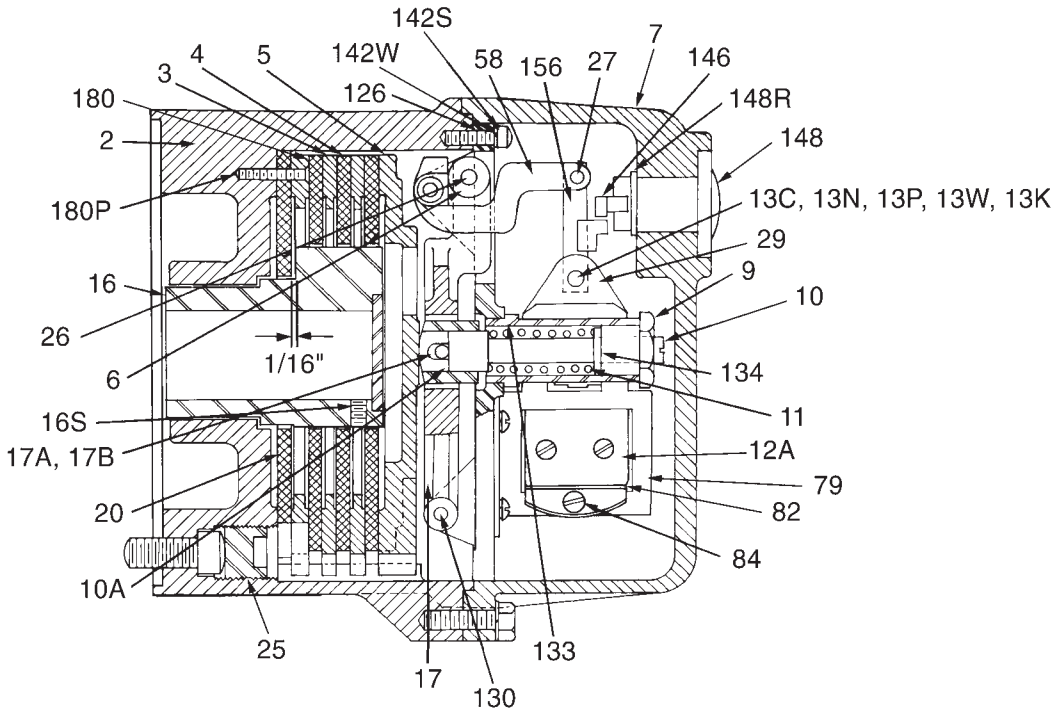


TABLE 3 - Coil Assemblies

Item	Description	Part Number	Torque (lb-ft)			
			10	15 25 35 50 75	105	
12A	No. 5 Coil Assembly 60 Hz	115 Vac	5-96-6501-05	1		
		230 Vac	5-96-6502-05	1		
		460 Vac	5-96-6504-05	1		
		575 Vac	5-96-6505-05	1		
		115/230 Vac	5-96-6507-05	1		
	230/460 Vac	5-96-6509-05	1			
	No. 6 Coil Assembly 60 Hz	115 Vac	5-96-6601-05		1	
		230 Vac	5-96-6602-05		1	
		460 Vac	5-96-6604-05		1	
575 Vac		5-96-6605-05		1		
115/230 Vac		5-96-6607-05		1		
230/460 Vac	5-96-6609-05		1			
No. 8 Coil Assembly 60 Hz	115 Vac	5-96-6801-05			1	
	230 Vac	5-96-6802-05			1	
	460 Vac	5-96-6804-05			1	
	575 Vac	5-96-6805-05			1	
	115/230 Vac	5-96-6807-05			1	
230/460 Vac	5-96-6809-05			1		

Above coils are UL Listed as Class A, however, they contain Class H insulation.

TABLE 4 - Contents of Kits and Assemblies

Number Designation	Kit Description
3	Stationary disc kit (5-66-8372-00) 1 - Stationary disc
12	Solenoid assembly (5-12-552X-00) 1 - Plunger 1 - Frame 3 - Solenoid mounting screws 3 - Solenoid mounting lock washers
12A	Coil assembly (5-96-6XXX-05) 1 - Coil 2 - Lead wire and terminal assemblies 2 - Terminal screws 2 - Terminal lock washers 2 - Plunger guides 2 - Plunger guide screws
61A	Vertical above mounting pin kit (5-66-337X-00) 3 - Vertical above mounting pins
62A	Vertical above spring and spacer kit (5-66-3171-00) 9 - Vertical above mounting springs 9 - Vertical above spring spacers
62B	Vertical below spring kit - green (5-66-3172-00) 3 - Vertical below springs - green
	Vertical below spring kit - red (5-66-3173-00) 3 - Vertical below springs - red