

## Installation Instructions for 331/333 Series Manual Release Kit 33X-1 through 33X-9, SSB Spring-Set Brakes

### Important

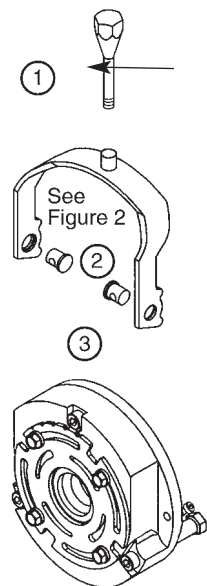
Please read these instructions carefully before installing, operating, or servicing your Stearns brake. Failure to comply with these instructions could cause injury to personnel and/or damage to property if the brake is installed or operated incorrectly. For definition of limited warranty/liability, contact Rexnord Industries, LLC, Stearns Division, 5150 S. International Dr., Cudahy, Wisconsin 53110, (414) 272-1100.

OEM's and subsystem suppliers, please forward these instructions with your components to the final user.

### Caution

1. Servicing shall be in compliance with applicable local safety codes including Occupational Safety and Health Act (OSHA). All wiring and electrical connections must comply with the National Electric Code (NEC) and local electric codes in effect.
2. To prevent an electrical hazard, disconnect power source before working on the brake. If power disconnect point is out of sight, lock disconnect in the off position and tag to prevent accidental application of power to system.
3. To avoid damage to internal power supply, hipot testing should not exceed 1500 volts for one second. Brake coil leads must be connected together.
4. Be careful when touching the exterior of an operating brake. Allow sufficient time for the brake to cool before disassembly. Surface may be hot enough to be painful or cause injury.

Figure 1



### I. Handle Assembly

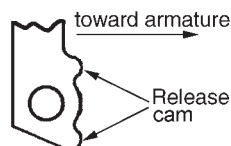
1. Thread handle into release arm; hand tighten.
2. Insert two release pivots into the release arm as shown in Figure 1.

**Note 1:** Brake size 145 (333-5) and 170 (333-6) do not require release pivots.

3. Slide the release handle assembly over the flat sides of the brake assembly.

**Note 2:** Release fingers must face toward armature side of brake. See Figure 2.

Figure 2



4. (333-1; 333-2; 333-3; 333-4)

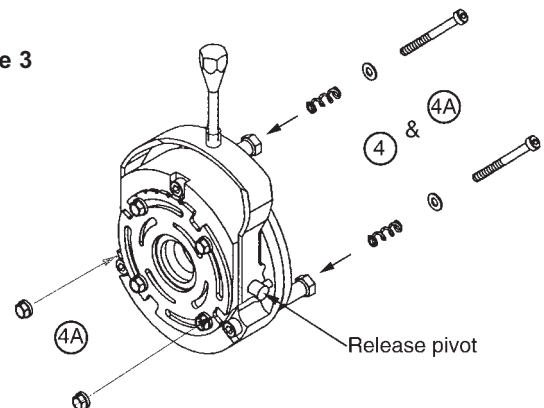
Insert cap screws, washers and springs through armature slots and thread into the release pivots (see Figure 3 & 4).

- 4A. (333-5; 333-6)

Insert hex bolt, washer and spring through armature slots and through holes in manual release arm, install thread nut onto screw.

**Note:** Washers must rest on the face of the armature.

Figure 3



### II. Adjustment

1. Tighten cap screws until proper air gap is reached. Reference Table A and Figure 4. Air gap should be measured above cap screw position as shown in Figure 4.

Figure 4

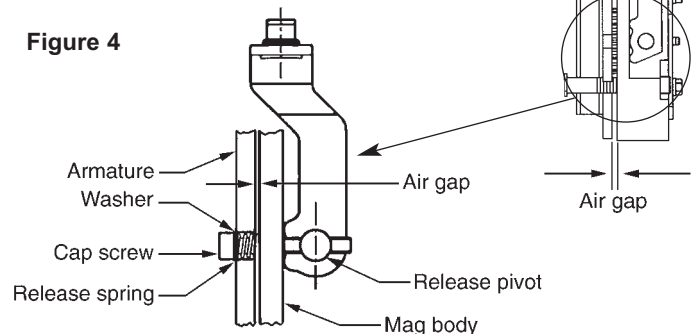


Table A

Brake Model	Bolt Circle	Hex Wrench Size	Air Gap	
			Metric	English
333-1	72	2.5 mm	1.02 mm	.040
333-2	90	2.5 mm	1.02 mm	.040
333-3	112	3 mm	1.02 mm	.040
333-4	132	3 mm	1.27 mm	.050
333-5	145	10 mm	1.27 mm	.050
333-6	170	10 mm	1.27 mm	.050
333-7	196	13 mm	1.52 mm	.060
333-8	230	13 mm	1.52 mm	.060
333-9	278	13 mm	2.03 mm	.080

**Note:** For assembly of brake to motor, reference Installation and Service Instruction Sheet 8-078-890-00