

Parts List for Size 8 CRS Clutch - Roto Sprocket™ Unit CRP Clutch - Roto Sheave™ Unit

Serial and model numbers from nameplate are required when ordering replacement parts.

Unit may require burnishing to develop torque when drive hub and armature are replaced.

See reverse side for Roto Sheave Unit.

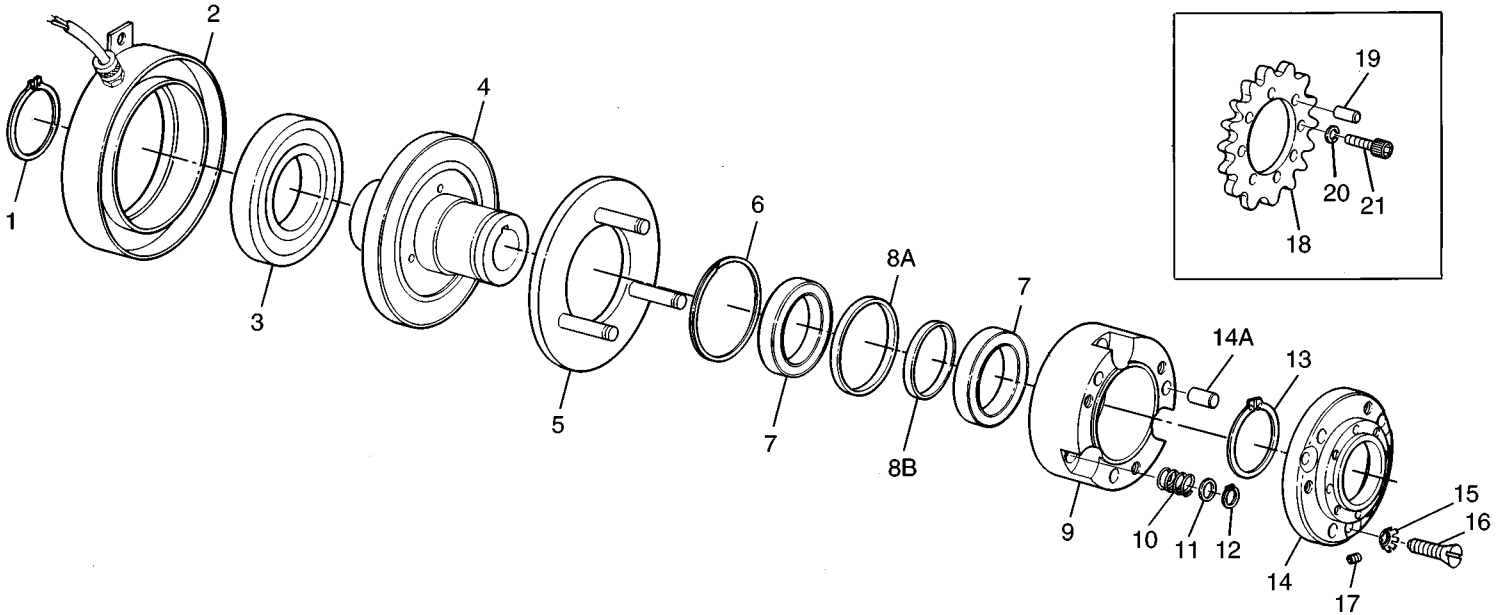


TABLE A - Roto Sprocket 2-11-8322-00-XX and 2-11-8323-00-XX

Item	Description	Part Number	Qty.
1	Retaining ring	9-03-0023-00	1
2	Magnet body & coil assy. (includes items 2A & 2B)		
	6 volts, DC	5-04-0080-00-01B	1
	12 volts, DC	5-04-0080-00-01C	1
	24-28 volts, DC	5-04-0080-00-01E	1
	90-100 volts, DC	5-04-0080-00-01J	1
3	Ball Bearing	9-01-0021-00	1
4	Drive hub assembly		
	1 1/8" diameter bore	5-30-00819-00-10R	1
	1 1/4" diameter bore	5-30-00819-00-10T	1
	1 3/8" diameter bore	5-30-00819-00-10U	1
	1 1/2" diameter bore	5-30-00819-00-10V	1
	1 5/8" diameter bore	5-30-00819-00-10X	1
	1 3/4" diameter bore	5-30-00819-00-10Y	1
5	Armature & pin assembly	5-47-0804-01	1
6	Retaining ring	9-03-0081-00	1
7	Ball bearing	9-01-0024-00	2
8A	Outer race spacer	8-455-119-00	1
8B	Inner race spacer	8-455-120-00	1
9	Hub "B"	8-411-129-00	1
10	Release spring	9-70-2301-00	3
11	Spacer	8-455-002-00	3
12	Retaining ring	9-03-0022-00	3
13	Retaining ring	9-03-0037-00	1
14	Adapter hub "A"	8-411-128-00	1
14A	Dowel pin 1/2" diameter	9-32-3004-00	3
15	Lock washer	9-45-0732-00	3
16	Screw, flat head	9-11-3220-00	3

Item	Description	Part Number	Qty.
17	Set screws (1/4-20 thread) <i>Consult factory for specific sizes per drive hub bore</i>	-	1
		-	1
18	Sprocket (<i>Normally not furnished by Stearns. Could also be gearbelt pulley, V-belt sheave, etc.</i>)		
19	Dowel pin 3/8" diameter	9-32-3006-00	4
20	Lock washer	9-45-1332-00	4
21	Cap screw <i>(Sprocket hardware normally not furnished by Stearns with unit.)</i>	9-17-3216-00	4
<i>not shown</i>	Tor-ac MSR Installation and Service Instructions	8-078-800-02	1

TABLE B

For case hardened armature use in place of Item 5:	
Armature and pin assembly	5-07-0804-02

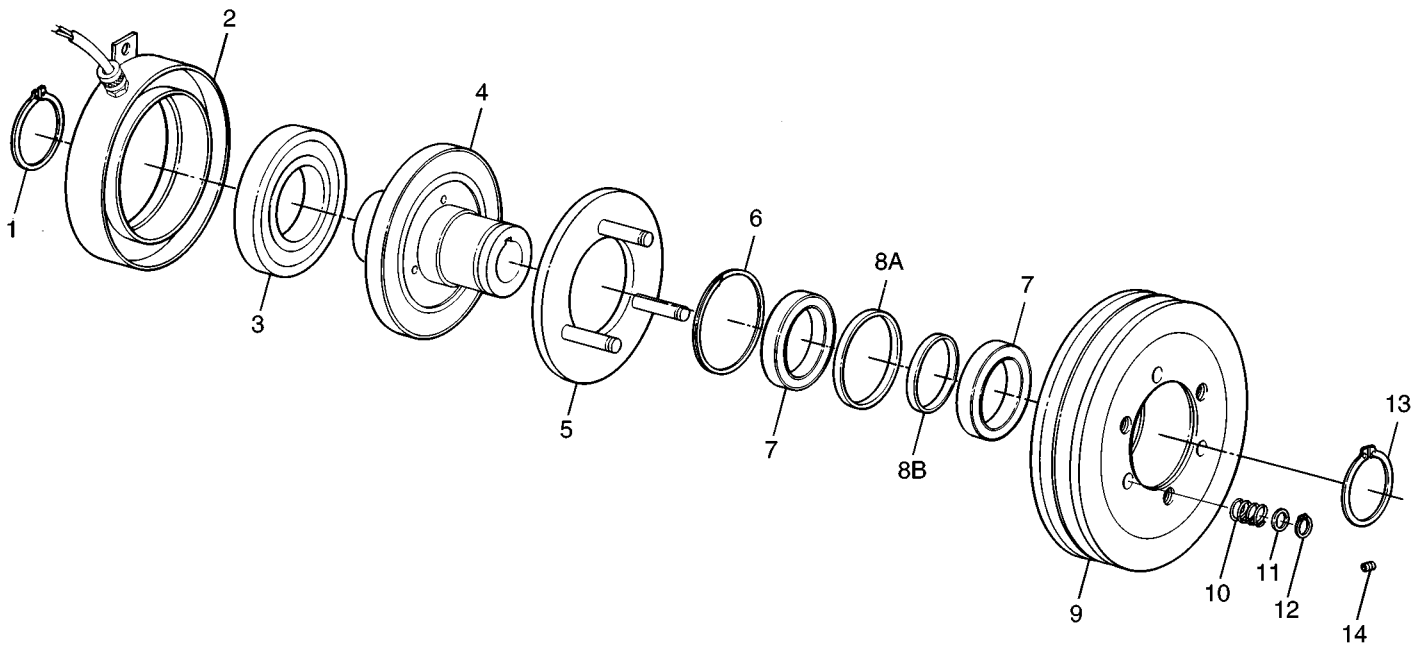


TABLE C - Roto Sheave 2-11-8321-00-XXX

Item	Description	Part Number	Qty.
1	Retaining ring	9-03-0030-00	1
2	Magnet body & coil assy. (includes items 2A & 2B)		
	6 volts, DC	5-04-0080-00-01B	1
	12 volts, DC	5-04-0080-00-01C	1
	24-28 volts, DC	5-04-0080-00-01E	1
	90-100 volts, DC	5-04-0080-00-01J	1
3	Ball bearing	9-01-0021-00	1
4	Drive hub assembly		
	1 1/8" diameter bore	5-30-0819-00-10R	1
	1 1/4" diameter bore	5-30-0819-00-10T	1
	1 3/8" diameter bore	5-30-0819-00-10U	1
	1 1/2" diameter bore	5-30-0819-00-10V	1
	1 5/8" diameter bore	5-30-0819-00-10X	1
	1 3/4" diameter bore	5-30-0819-00-10Y	1
5	Armature & pin assembly	5-47-0804-00	1
6	Retaining ring	9-03-0081-00	1
7	Ball bearing	9-01-0024-00	2
8A	Outer race spacer	8-455-119-00	1
8B	Inner race spacer	8-455-120-00	1
9	Sheave (V-belt)		
	7.0 P.D. "A" Section & 7.4 P.D. "B" Section	8-475-180-00-22A	1
	8.2 P.D. "A" Section & 8.6 P.D. "B" Section	8-475-180-00-22B	1
	9.0 P.D. "A" Section & 9.4 P.D. "B" Section	8-475-180-00-22C	1

Item	Description	Part Number	Qty.
10	Release spring	9-70-2301-00	3
11	Spacer	8-455-002-00	3
12	Retaining ring	9-03-0022-00	3
13	Retaining ring	9-03-0037-00	1
14	Set screws (1/4-20 thread) <i>Consult factory for specific sizes per drive hub bore</i>	- -	1 1
<i>not shown</i>	Installation and Service Instructions	8-078-800-02	1

TABLE D

For case hardened armature use in place of item 4:	
Armature and pin assembly	5-47-0804-03