

Parts List for Size 5.5 CRS Clutch - Roto Sprocket™ Unit CRP Clutch - Roto Sheave™ Unit

Serial and model numbers from nameplate are required when ordering replacement parts.

Unit may require burnishing to develop torque when drive hub and armature are replaced.

See reverse side for Roto Sheave Unit.

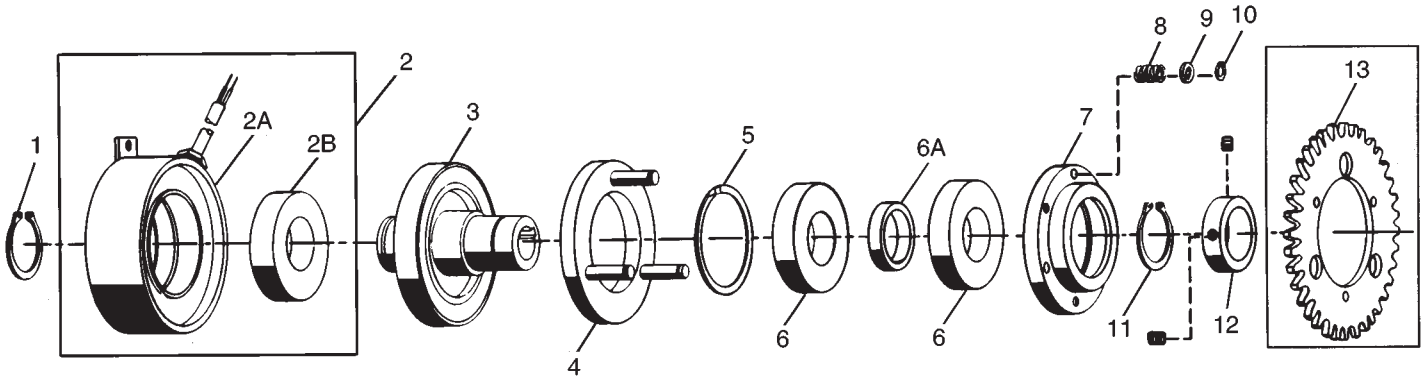


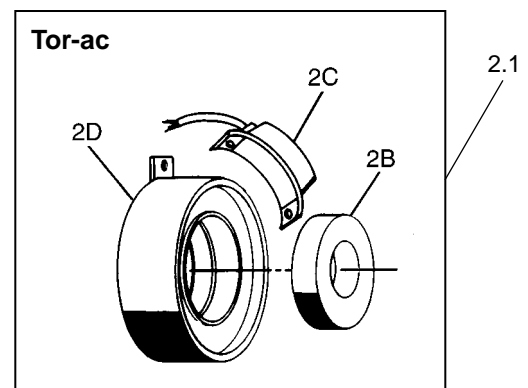
TABLE A - Roto Sprocket 2-11-5525-00-XX

Item	Description	Part Number	Qty.
1	Retaining ring	9-03-0182-00	1
2	Magnet body & coil assy. (includes items 2A & 2B)		
	6 volts, DC	5-04-0055-00-01B	1
	12 volts, DC	5-04-0055-00-01C	1
	24-28 volts, DC	5-04-0055-00-01E	1
	90-100 volts, DC	5-04-0055-00-01J	1
3	Drive hub assembly		
	3/4" diameter bore	5-30-0508-02-10N	1
	7/8" diameter bore	5-30-0508-02-10O	1
	1" diameter bore	5-30-0508-02-10Q	1
	1 1/8" diameter bore	5-30-0508-02-10R	1
	1 1/4" diameter bore	5-30-0508-02-10T	1
4	Armature & pin assembly	5-47-0506-00	1
5	Retaining ring	9-03-0074-00	1
6	Ball bearing	9-01-0012-00	2
6A	Inner race spacer	8-455-113-00	1
7	Adapter hub	8-411-062-00	1
8	Release spring	9-70-1520-00	3
9	Spacer	8-455-001-00	3
10	Retaining ring	9-03-0019-00	3
11	Retaining ring	9-03-0182-00	1
12	Set collar assembly		
	3/4" drive hub	5-69-0026-00-10N	1
	7/8" drive hub	5-69-0026-00-10O	1
	1" drive hub	5-69-0026-00-10Q	1
	1 1/8" drive hub	5-69-0026-00-10R	1
	1 1/4" drive hub	5-69-0026-00-10T	1
13	Sprocket (Normally not furnished by Stearns. Could also be gearbelt pulley, V-belt sheave, etc.)		
not shown	Installation and Service Instructions	8-078-800-02	1

TABLE B - Tor-ac® Roto Sprocket 2-11-5580-00-XX*

Item	Description	Part Number	Qty.
2.1	Tor-ac magnet body, coil assembly & power supply (includes items 2B, 2C, 2D & SEM screws)	5-04-0702-01	1
2C	5.0 CRS Tor-ac power supply	4-1-20190-03	1
not shown	SEM screws	9-14-2603-00	2

*Same as Table A except as shown.



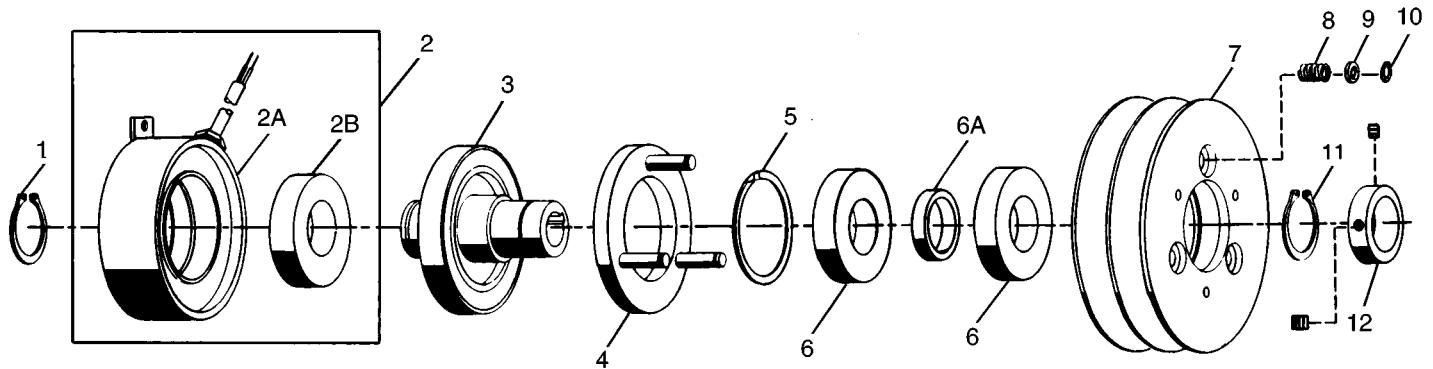


TABLE C - Roto Sheave 2-11-5522-00-XXX

Item	Description	Part Number	Qty.
1	Retaining ring	9-03-0182-00	1
2	Magnet body & coil assy. (includes items 2A & 2B) 6 volts, DC 12 volts, DC 24-28 volts, DC 90-100 volts, DC	5-04-0055-00-01B 5-04-0055-00-01C 5-04-0055-00-01E 5-04-0055-00-01J	1 1 1 1
3	Drive hub assembly 3/4" diameter bore 7/8" diameter bore 1" diameter bore 1 1/8" diameter bore 1 1/4" diameter bore	5-30-0508-02-10N 5-30-0508-02-10O 5-30-0508-02-10Q 5-30-0508-02-10R 5-30-0508-02-10T	1 1 1 1 1
4	Armature & pin assembly	5-47-0506-00	1
5	Retaining ring	9-03-0074-00	1
6	Ball bearing	9-01-0012-00	2
6A	Inner race spacer	8-455-113-00	1
7	Sheave (V-belt) 5.2 P.D. "A" Section & 5.6 P.D. "B" Section 5.4 P.D. "A" Section & 5.8 P.D. "B" Section 5.8 P.D. "A" Section & 6.2 P.D. "B" Section	8-475-155-00-21K 8-475-155-00-21L 8-475-155-00-21M	1 1 1
8	Release spring	9-70-1520-00	3
9	Spacer	8-455-001-00	3
10	Retaining ring	9-03-0019-00	3
11	Retaining ring	9-03-0182-00	1
12	Set collar assembly 3/4" drive hub 7/8" drive hub 1" drive hub 1 1/8" drive hub 1 1/4" drive hub	5-69-0026-00-10N 5-69-0026-00-10O 5-69-0026-00-10Q 5-69-0026-00-10R 5-69-0026-00-10T	1 1 1 1 1
not shown	Installation and Service Instructions	8-078-800-02	1

TABLE D - Tor-ac® Roto Sheave 2-11-5581-00-XXX*

Item	Description	Part Number	Qty.
2.1	Tor-ac magnet body, coil assembly & power supply (includes items 2B, 2C, 2D & SEM screws) 115 volts, AC	5-04-0702-00	1
2C	3.5 crpTor-ac power supply	4-1-20190-03	1
not shown	SEM screws	9-14-2603-00	2

*Same as Table C except as shown.

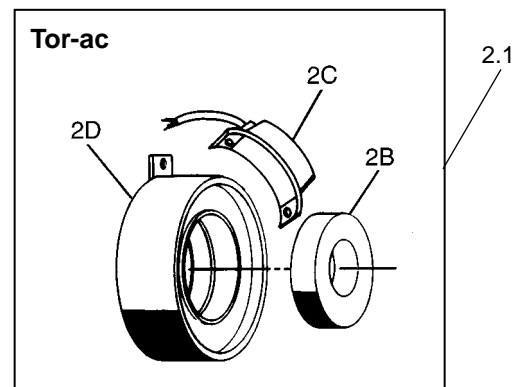


TABLE E

For case hardened armature use in place of item 4:	
Armature and pin assembly	5-47-0506-02

TABLE F - Keyways associated with bore diameters

3/4" bore	3/16" x 3/32" keyway
7/8" bore	3/16" x 3/32" keyway
1" bore	1/4" x 1/8" keyway
1 1/8" bore	1/4" x 1/8" keyway
1 1/4" bore	1/4" x 1/8" keyway